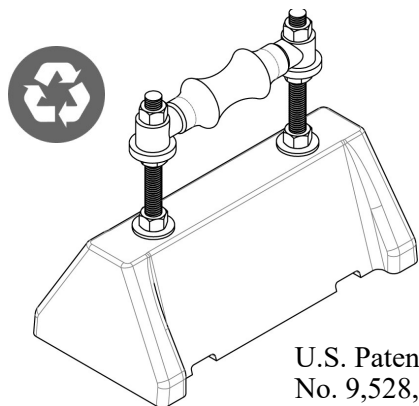




ROOFTOP SUPPORTS

FIG. ORSB

OFFSET ROLLER SUPPORT BASE



U.S. Patent
No. 9,528,271
No. D749,935
No. D810,010

Function: For installation on most types of roofing material or other flat surfaces. Pre-assembled roof top support bases with mounted Fig. 490 Pipe Roller With Sockets. Can be used to dampen vibration without reducing the life of the roof. Water channels in bases prevent damming.

Material: 100% Post-consumer, American recycled rubber and recycled plastic base. Cast iron pipe roller and sockets (electro-galvanized finish). Carbon steel hardware (electro-galvanized finish).

Approvals: Complies with Federal Specification A-A-1192A (Type 63) and Manufacturers' Standardization Society ANSI/MSS SP-58 (Type 63) which supersedes ANSI/MSS SP-69.

Ordering: Specify figure number.

NOTE: Maximum Recommended Loads are specific to the components supplied. Please consult the roofing manufacturer or an engineer for roof load capacity.

Figure Number	Total Height (Axle Center)		Base Width		Base Length		Max. Pipe Size		Max. Rec. Uniform Load		Wt. Each	
									lbs.	kN	lbs.	kg
ORSB08	8	(203.2)	5½	(139.70)	10¾	(273.05)	3½	(90)	200	(0.89)	5.26	(2.39)
ORSB12	12	(304.8)	5½	(139.70)	10¾	(273.05)	3½	(90)	200	(0.89)	5.58	(2.53)