



# ROOFTOP SUPPORTS

**FIG. DBRB**

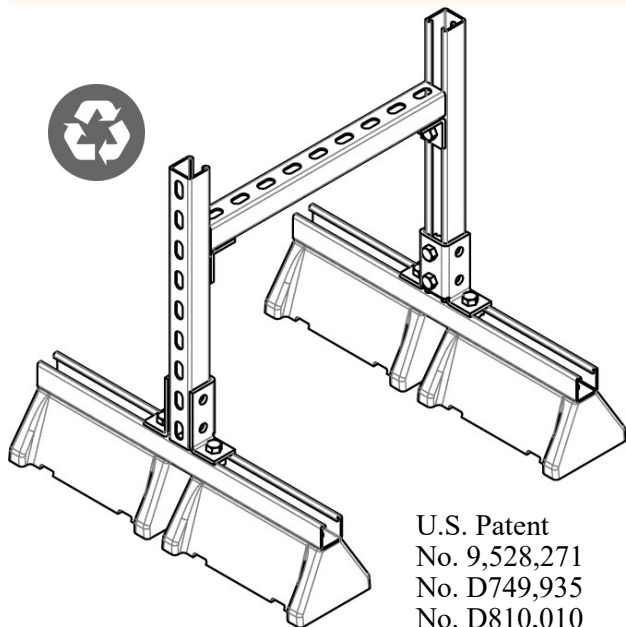
## DOUBLE BASE RAISED BRIDGE

**Function:** For installation on most types of roofing material or other flat surfaces. Double side base roof top support kit with 1011 series channel strut top cross member. Can be used to dampen vibration without reducing the life of the roof. Water channels in bases prevent damming.

**Material:** 100% Post-consumer, American recycled rubber and recycled plastic base. Carbon steel channel (pre-galvanized finish). Carbon steel hardware (electro-galvanized finish).

**Ordering:** Specify figure number.

*NOTE: Maximum Recommended Loads are specific to the components supplied. Please consult the roofing manufacturer or an engineer for roof load capacity.*



U.S. Patent  
No. 9,528,271  
No. D749,935  
No. D810,010

Figure Number	Top Channel Figure Number	Top Channel Length		Number of Bases	Total Height		Base Width		Base Length		Max. Rec. Uniform Load		Wt. Each	
											lbs.	kN	lbs.	kg
DBRB102318	1011	18	(457.20)	4	23 <sup>5</sup> / <sub>8</sub>	(600.08)	25 <sup>1</sup> / <sub>8</sub>	(638.18)	22 <sup>1</sup> / <sub>2</sub>	(571.50)	1700	(7.56)	37.12	(16.84)
DBRB102324	1011	24	(609.60)	4	23 <sup>5</sup> / <sub>8</sub>	(600.08)	31 <sup>1</sup> / <sub>8</sub>	(790.58)	22 <sup>1</sup> / <sub>2</sub>	(571.50)	1200	(5.34)	38.00	(17.24)
DBRB102336	1011	36	(914.40)	4	23 <sup>5</sup> / <sub>8</sub>	(600.08)	43 <sup>1</sup> / <sub>8</sub>	(1095.38)	22 <sup>1</sup> / <sub>2</sub>	(571.50)	800	(3.56)	39.65	(17.98)
DBRB102348	1011	48	(1219.20)	4	23 <sup>5</sup> / <sub>8</sub>	(600.08)	55 <sup>1</sup> / <sub>8</sub>	(1400.18)	22 <sup>1</sup> / <sub>2</sub>	(571.50)	600	(2.67)	41.31	(18.74)
DBRB102918	1011	18	(457.20)	4	29 <sup>5</sup> / <sub>8</sub>	(752.48)	25 <sup>1</sup> / <sub>8</sub>	(638.18)	22 <sup>1</sup> / <sub>2</sub>	(571.50)	1700	(7.56)	38.90	(17.64)
DBRB102924	1011	24	(609.60)	4	29 <sup>5</sup> / <sub>8</sub>	(752.48)	31 <sup>1</sup> / <sub>8</sub>	(790.58)	22 <sup>1</sup> / <sub>2</sub>	(571.50)	1200	(5.34)	39.73	(18.02)
DBRB102936	1011	36	(914.40)	4	29 <sup>5</sup> / <sub>8</sub>	(752.48)	43 <sup>1</sup> / <sub>8</sub>	(1095.38)	22 <sup>1</sup> / <sub>2</sub>	(571.50)	800	(3.56)	41.40	(18.78)
DBRB102948	1011	48	(1219.20)	4	29 <sup>5</sup> / <sub>8</sub>	(752.48)	55 <sup>1</sup> / <sub>8</sub>	(1400.18)	22 <sup>1</sup> / <sub>2</sub>	(571.50)	600	(2.67)	43.06	(19.53)
DBRB104118	1011	18	(457.20)	4	41 <sup>5</sup> / <sub>8</sub>	(1057.28)	25 <sup>1</sup> / <sub>8</sub>	(638.18)	22 <sup>1</sup> / <sub>2</sub>	(571.50)	1700	(7.56)	42.39	(19.23)
DBRB104124	1011	24	(609.60)	4	41 <sup>5</sup> / <sub>8</sub>	(1057.28)	31 <sup>1</sup> / <sub>8</sub>	(790.58)	22 <sup>1</sup> / <sub>2</sub>	(571.50)	1200	(5.34)	43.22	(19.60)
DBRB104136	1011	36	(914.40)	4	41 <sup>5</sup> / <sub>8</sub>	(1057.28)	43 <sup>1</sup> / <sub>8</sub>	(1095.38)	22 <sup>1</sup> / <sub>2</sub>	(571.50)	800	(3.56)	44.88	(20.36)
DBRB104148	1011	48	(1219.20)	4	41 <sup>5</sup> / <sub>8</sub>	(1057.28)	55 <sup>1</sup> / <sub>8</sub>	(1400.18)	22 <sup>1</sup> / <sub>2</sub>	(571.50)	600	(2.67)	46.54	(21.11)
DBRB105318	1011	18	(457.20)	4	53 <sup>5</sup> / <sub>8</sub>	(1362.08)	25 <sup>1</sup> / <sub>8</sub>	(638.18)	22 <sup>1</sup> / <sub>2</sub>	(571.50)	1700	(7.56)	59.55	(27.01)
DBRB105324	1011	24	(609.60)	4	53 <sup>5</sup> / <sub>8</sub>	(1362.08)	31 <sup>1</sup> / <sub>8</sub>	(790.58)	22 <sup>1</sup> / <sub>2</sub>	(571.50)	1200	(5.34)	60.38	(27.39)
DBRB105336	1011	36	(914.40)	4	53 <sup>5</sup> / <sub>8</sub>	(1362.08)	43 <sup>1</sup> / <sub>8</sub>	(1095.38)	22 <sup>1</sup> / <sub>2</sub>	(571.50)	800	(3.56)	62.04	(28.14)
DBRB105348	1011	48	(1219.20)	4	53 <sup>5</sup> / <sub>8</sub>	(1362.08)	55 <sup>1</sup> / <sub>8</sub>	(1400.18)	22 <sup>1</sup> / <sub>2</sub>	(571.50)	600	(2.67)	63.70	(28.89)

Unless otherwise specified, all dimensions on drawings and in charts are in inches and dimensions shown in parentheses are in millimeters.