

PIPE ROLLER SUPPORTS



LONG PIPE ROLLER

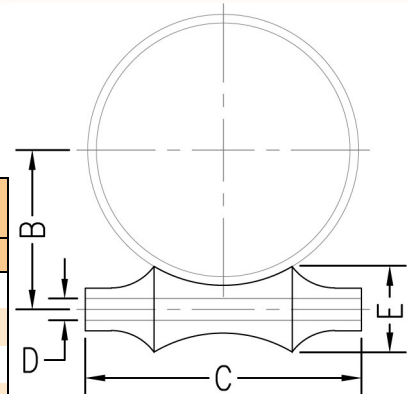
FIG. 495

Function: Designed for supporting pipe in applications where horizontal movement, due to expansion and contraction, will occur.

Material: Cast iron (Type 304 or 316 Stainless Steel upon request)

Finish: Plain or electro-galvanized (Hot dipped galvanized upon request)

Ordering: Specify figure number, pipe roller size, material, and finish.



Pipe Roller Size		B		C		Hole Size D		E		Max. Rec. Load		Wt. Each	
										lbs.	kN	lbs.	kg
2	(50)	1 ⁵ / ₈	(41.28)	2 ⁷ / ₈	(73.03)	7 ¹ / ₁₆	(11.11)	1 ³ / ₁₆	(30.16)	600	(2.67)	0.22	(0.10)
2 ¹ / ₂	(65)	2	(50.80)	3 ¹ / ₈	(79.38)	9 ¹ / ₁₆	(14.29)	1 ⁷ / ₁₆	(36.51)	700	(3.11)	0.33	(0.15)
3	(80)	2 ¹ / ₄	(57.15)	3 ³ / ₄	(95.25)	9 ¹ / ₁₆	(14.29)	1 ¹ / ₂	(38.10)	700	(3.11)	0.43	(0.20)
3 ¹ / ₂	(90)	2 ⁵ / ₈	(66.68)	4 ¹ / ₄	(107.95)	9 ¹ / ₁₆	(14.29)	1 ⁵ / ₈	(41.28)	750	(3.34)	0.53	(0.24)
4	(100)	2 ³ / ₄	(69.85)	4 ³ / ₄	(120.65)	9 ¹ / ₁₆	(14.29)	2	(50.80)	750	(3.34)	0.56	(0.26)
5	(125)	3 ¹ / ₂	(88.90)	5 ³ / ₄	(146.05)	1 ¹ / ₁₆	(17.46)	2 ¹ / ₈	(53.98)	750	(3.34)	0.94	(0.43)
6	(150)	4	(101.60)	6 ⁷ / ₈	(174.63)	1 ³ / ₁₆	(20.64)	2 ⁷ / ₁₆	(61.91)	1100	(4.89)	1.59	(0.72)
8	(200)	5 ¹ / ₈	(130.18)	8 ⁷ / ₈	(225.43)	1 ⁵ / ₁₆	(23.81)	2 ⁷ / ₈	(73.03)	1350	(6.01)	2.64	(1.20)
10	(250)	6 ³ / ₈	(161.93)	11	(279.40)	1 ⁵ / ₁₆	(23.81)	3 ¹ / ₂	(88.90)	1750	(7.78)	4.50	(2.04)
12	(300)	7 ¹ / ₂	(190.50)	13	(330.20)	1 ⁵ / ₁₆	(23.81)	4 ¹ / ₄	(107.95)	2400	(10.68)	7.55	(3.42)
14	(350)	8 ³ / ₈	(212.73)	14 ³ / ₈	(365.13)	1 ¹ / ₄	(31.75)	4 ⁵ / ₈	(117.48)	3100	(13.79)	13.00	(5.90)
16	(400)	9 ¹ / ₂	(241.30)	16 ³ / ₈	(415.93)	1 ³ / ₈	(34.93)	4 ⁷ / ₈	(123.83)	4000	(17.79)	17.44	(7.91)
18	(450)	10 ¹ / ₂	(266.70)	18 ³ / ₈	(466.73)	1 ³ / ₈	(34.93)	5 ⁵ / ₁₆	(134.94)	4200	(18.68)	21.60	(9.80)
20	(500)	11 ⁵ / ₈	(295.28)	20 ³ / ₈	(517.53)	1 ³ / ₈	(34.93)	6 ¹ / ₁₆	(153.99)	4550	(20.24)	27.13	(12.30)
24	(600)	14	(355.60)	14 ³ / ₈	(365.13)	1 ⁵ / ₈	(41.28)	7 ¹ / ₁₆	(179.39)	6100	(27.13)	43.29	(19.63)
30	(750)	17 ¹ / ₂	(444.50)	30 ³ / ₈	(771.53)	1 ⁷ / ₈	(47.63)	9 ¹ / ₁₆	(230.19)	7300	(32.47)	82.00	(37.19)

- THREADED ACCESSORIES
- CPVC STRAPS
- BAND HANGERS
- BEAM CLAMPS
- CLEVIS HANGERS
- PIPE ROLLER SUPPORTS
- SPLIT RING HANGERS
- PIPE CLAMPS
- CENTER LOAD BEAM CLAMPS
- PIPE SHIELDS, INSULATION, & SADDLES
- PIPE GUIDES & SLIDES
- WALL BRACKETS
- PIPE SUPPORTS
- STRUCTURAL ATTACHMENTS
- SEISMIC BRACING