

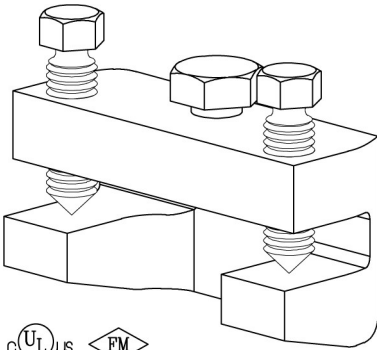


www.phd-mfg.com

SEISMIC BRACING

FIG. 035

SWAY BRACE BAR JOIST ADAPTER



Function: Sway brace adapter used to attach a PHD Manufacturing sway brace assembly to a steel bar joist or structural member of $\frac{3}{8}$ " maximum thickness. To provide a point of connection when drilling or welding is not allowed or not practical. Sway brace assemblies are intended to be installed in accordance with NFPA 13 and the manufacturer's installation instructions.

Size: Braces up to 8" Pipe MAX. Attaches to $\frac{3}{8}$ " thick MAX structural members. When attaching to a structure thicker than $\frac{3}{8}$ ", please see PHD Manufacturing Fig. 045.

Material: Ductile iron
Finish: Electro-galvanized

Install: Place on structural member with the flange contacting the back of the jaw. Tighten set screws finger tight, then evenly tighten until hex heads break off. Attach PHD structural attachment to Fig. 035 with the supplied attachment bolt, ensuring that the attachment bolt head bottoms out securely. Please note that the maximum load will be limited by the PHD Manufacturing structural attachment utilized with this adapter.

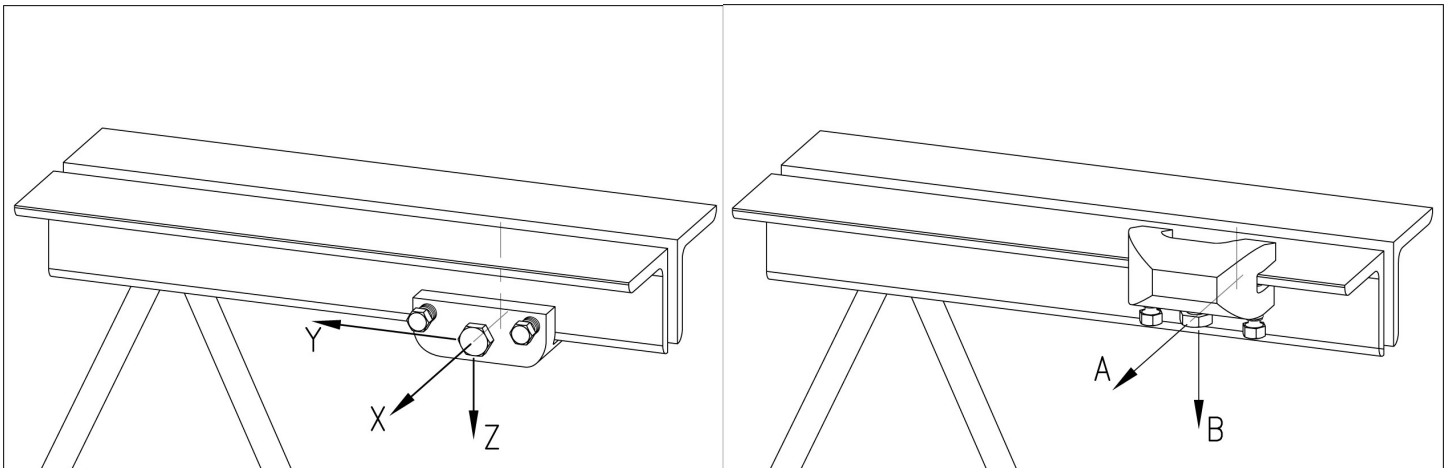
Approvals: Underwriters Laboratories listed for US and Canada and Factory Mutual approved. Listed for use with NFPA fastener tables and PHD sway brace components only.

Ordering: Specify figure number.

UL Maximum Design Load					
Pipe Size		lbs.	kN	Wt. Each	
				lbs.	kg
8" MAX	(200)	1370	(6.09)	2.38	(1.08)

FM Maximum Design Load							
Beam Flange Thickness	Brace Angle From Vertical (Degrees)	X-Z		Y-Z		A-B	
		lbs.	kN	lbs.	kN	lbs.	kN
$\frac{3}{8}$ " Max	30°-44°	1040	(4.62)	970	(4.31)	1150	(5.11)
	45°-59°	1490	(6.62)	1370	(6.09)	1660	(7.38)
	60°-74°	1800	(8.00)	2060	(9.16)	1990	(8.85)
	75°-90°	2010	(8.94)	2300	(10.23)	2220	(9.87)

When governed by NFPA13 2019 or later, multiply FM approved loads by 0.682.



Unless otherwise specified, all dimensions on drawings and in charts are in inches and dimensions shown in parentheses are in millimeters.

THREADED ACCESSORIES
 CPVC STRAPS
 BAND HANGERS
 BEAM CLAMPS
 CLEVIS HANGERS
 PIPE ROLLER SUPPORTS
 SPLIT RING HANGERS
 PIPE CLAMPS
 CENTER LOAD BEAM CLAMPS
 PIPE SHIELDS, INSULATION, & SADDLES
 PIPE GUIDES & SLIDES
 WALL BRACKETS
 PIPE SUPPORTS
 STRUCTURAL ATTACHMENTS
 SEISMIC BRACING



PHD Manufacturing, Inc.

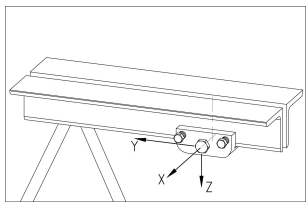
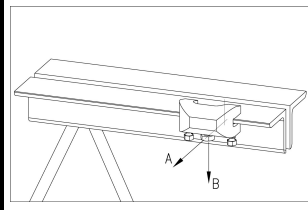
44018 Columbiana-Waterford Road
 Columbiana, Ohio 44408-9481
 Phone: 800-321-2736 • 330-482-9256
 Fax: 330-482-2763
 Web: www.phd-mfg.com

FIG. 035 SWAY BRACE BAR JOIST ADAPTER

- Pipe Braced:** 8" Pipe MAX
Function: Sway brace adapter used to attach a PHD Manufacturing sway brace assembly to a steel bar joist or structural member of 3/8" maximum thickness. To provide a point of connection when drilling or welding is not allowed or not practical. Sway brace assemblies are intended to be installed in accordance with NFPA 13 and the manufacturer's installation instructions.
Approvals: Underwriters Laboratories listed for US and Canada
 Factory Mutual approved
 Listed for use with NFPA fastener tables and PHD sway brace components only
Material: Ductile Iron
Installation: Place on structural member with the flange contacting the back of the jaw. Tighten set screws finger tight, then evenly tighten until hex heads break off. Attach PHD structural attachment to Fig. 035 with the supplied attachment bolt, ensuring that the attachment bolt head bottoms out securely. Please note that the maximum load will be limited by the PHD Manufacturing structural attachment utilized with this adapter.

UL Maximum Design Load	
Pipe Size	lbs.
8" MAX	1370

FM Maximum Design Load						
Beam Flange Thickness	Brace Angle From Vertical (Degrees)	X-Z		Beam Flange Thickness	Brace Angle From Vertical (Degrees)	A-B
		lbs.	lbs.			
3/8" Max	30°-44°	1040	970	3/8" Max	30°-44°	1150
	45°-59°	1490	1370		45°-59°	1660
	60°-74°	1800	2060		60°-74°	1990
	75°-90°	2010	2300		75°-90°	2220

When governed by NFPA13 2019 or later, multiply FM approved loads by 0.682.

The Complete Line of Pipe Supports and Devices
 Pipe Hangers ▲ Strut & Accessories ▲ Pipe Clamps ▲ Beam Clamps ▲ Shields