

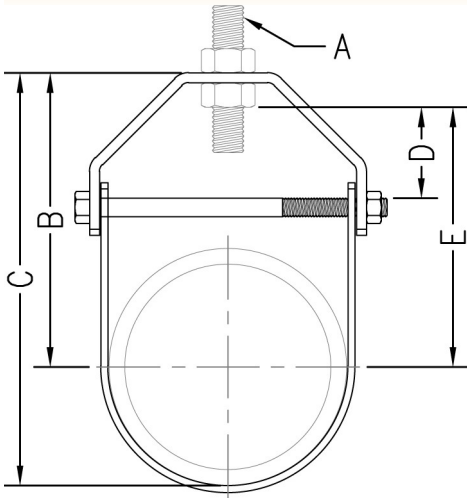


www.phd-mfg.com

# CLEVIS HANGERS

**FIG. 440, 440F, & 441**

## LIGHT DUTY CLEVIS HANGER



**Function:** Designed for the suspension of non-insulated stationary pipe lines in light duty applications. Fig. 440F has a layer of felt which helps to reduce sound and vibration.

**Material:** Carbon steel  
**Finish:** Plain (Fig. 440), plain with felt lining (Fig. 440F), or electro-galvanized (Fig. 441) (Hot dipped galvanized with electro-galvanized hardware upon request)

**Approvals:** Complies with Federal Specification A-A-1192A (Type 1) and Manufacturers' Standardization Society ANSI/MSS SP-58 (Type 1) which supersedes ANSI/MSS SP-69.

**Ordering:** Specify figure number and pipe size.

*NOTE: Use of an upper locknut ensures proper performance. If ordering Fig. 440F felt lined hangers for pipe sizes of 3 1/2" (90) or under, order the next largest size to allow for the thickness of the felt lining.*

Pipe Size		Rod Size A	B		C		Adjustment D		E		Cross Bolt	Max. Rec. Load		Wt. Each	
												lbs.	kN	lbs.	kg
1/2	(15)	3/8	2 9/16	(65.09)	3	(76.20)	1 1/4	(31.75)	2 3/16	(55.56)	1/4	150	(0.67)	.17	(.08)
3/4	(20)	3/8	2 5/8	(66.68)	3 1/8	(79.38)	1 5/16	(33.34)	2 1/4	(57.15)	1/4	250	(1.11)	.22	(.10)
1	(25)	3/8	3 1/16	(77.79)	3 3/4	(95.25)	1 11/16	(42.86)	2 11/16	(68.26)	1/4	250	(1.11)	.22	(.10)
1 1/4	(32)	3/8	3 5/16	(84.14)	4 1/8	(104.78)	1 9/16	(39.69)	2 7/8	(73.03)	1/4	250	(1.11)	.29	(.13)
1 1/2	(40)	3/8	3 7/16	(87.31)	4 3/8	(111.13)	1 9/16	(39.69)	3	(76.20)	1/4	250	(1.11)	.30	(.14)
2	(50)	3/8	3 11/16	(93.66)	4 7/8	(123.83)	1 11/16	(42.86)	3 1/4	(82.55)	1/4	250	(1.11)	.34	(.15)
2 1/2	(65)	1/2	4 5/8	(117.5)	6 1/16	(154.0)	1 1/4	(31.75)	3 1/4	(82.55)	3/8	350	(1.56)	.68	(.31)
3	(80)	1/2	4 7/8	(123.83)	6 5/8	(168.28)	1 1/4	(31.75)	3 9/16	(90.49)	3/8	350	(1.56)	.72	(.33)
3 1/2	(90)	1/2	4 1/2	(114.3)	6 1/2	(165.10)	1 5/16	(33.34)	3 15/16	(100.01)	3/8	350	(1.56)	.84	(.38)
4	(100)	5/8	5 1/2	(139.7)	7 11/16	(195.3)	1 5/16	(33.34)	5	(127.00)	3/8	400	(1.78)	.97	(.44)

Adjustment "D" (Top of cross bolt to bottom of hanger rod nut.)

THREADED ACCESSORIES  
 CPVC STRAPS  
 BAND HANGERS  
 BEAM CLAMPS  
 CLEVIS HANGERS  
 PIPE ROLLER SUPPORTS  
 SPLIT RING HANGERS  
 PIPE CLAMPS  
 CENTER LOAD BEAM CLAMPS  
 PIPE SHIELDS, INSULATION, & SADDLES  
 PIPE GUIDES & SLIDES  
 WALL BRACKETS  
 PIPE SUPPORTS  
 STRUCTURAL ATTACHMENTS  
 SEISMIC BRACING