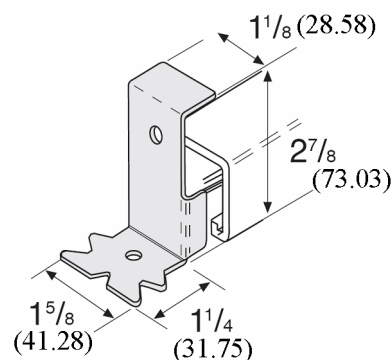


Type B End Caps

4440 - 4470

Fig. Number	Std. Package	Use With Fig. Numbers	Wt. Each	
			Lbs.	kg
4440	100	1700 & 4000	.15	(.07)
4450	100	1400 & 4200	.15	(.07)
4460	100	1300	.15	(.07)
4470	100	1000 & 4300	.15	(.07)

ORDERING: Specify figure number.



MATERIAL: Low carbon steel

FINISH: Electro-galvanized