

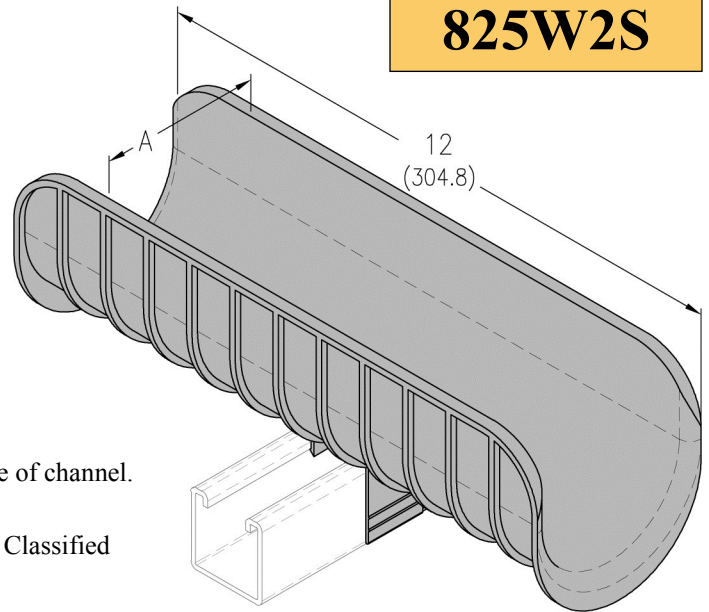
# PIPE SADDLE



## Bronco Saddle for Insulated Tube & Pipe

**225B2S -  
825W2S**

Fig. Number	Saddle Color	A		Wt. Each	
				lbs.	kg
225B2S	BLACK	2 <sup>1</sup> / <sub>4</sub>	(57.15)	.20	(.09)
325B2S	BLACK	3 <sup>1</sup> / <sub>4</sub>	(82.55)	.29	(.13)
425B2S	BLACK	4 <sup>1</sup> / <sub>4</sub>	(107.95)	.34	(.15)
525B2S	BLACK	5 <sup>1</sup> / <sub>4</sub>	(133.35)	.44	(.20)
625B2S	BLACK	6 <sup>1</sup> / <sub>4</sub>	(158.75)	.55	(.25)
825B2S	BLACK	8 <sup>1</sup> / <sub>4</sub>	(209.55)	.95	(.43)
225W2S	WHITE	2 <sup>1</sup> / <sub>4</sub>	(57.15)	.20	(.09)
325W2S	WHITE	3 <sup>1</sup> / <sub>4</sub>	(82.55)	.29	(.13)
425W2S	WHITE	4 <sup>1</sup> / <sub>4</sub>	(107.95)	.34	(.15)
525W2S	WHITE	5 <sup>1</sup> / <sub>4</sub>	(133.35)	.44	(.20)
625W2S	WHITE	6 <sup>1</sup> / <sub>4</sub>	(158.75)	.55	(.25)
825W2S	WHITE	8 <sup>1</sup> / <sub>4</sub>	(209.55)	.95	(.43)



**Features:** Universal mounting feature allows secure fit on either side of channel.  
Molded with self-tapping screw location hole.

**Material:** UV resistant high-strength polypropylene copolymer. UL Classified 2043 (25/50) for use in plenums and air handling systems.

**Temperature Rating:** -40°F to 178°F (-40°C to 81°C)

**Ordering:** Specify figure number.

Unless otherwise specified, all dimensions on drawings and in charts are in inches and dimensions shown in parentheses are in millimeters.