

CONCRETE INSERTS



1⁵/₈" X 1⁵/₈" X 12 GAUGE

FIG. 4301-4302

Material:

Carbon steel (Type 304 or 316 Stainless Steel upon request)

Finish:

Pre-galvanized

Ordering:

Specify figure number, material, and number of feet.

Note: *Furnished with end caps and Expanded Polyethylene filler for clean and easy removal. (Coined steel inserts and plastic closure strips available upon request.)*

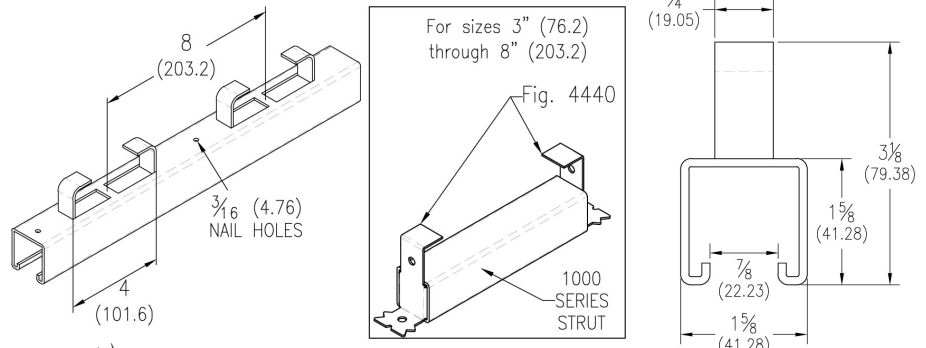
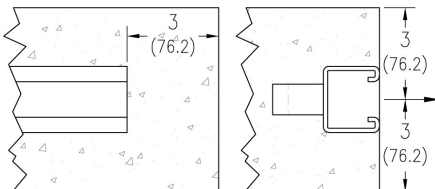


Fig. No.		Type - Description	Weight		Bundle Qty.			
10ft.	3.05m		20ft.	6.10m	10ft.	3.05m	20ft.	6.10m
4301	4302	Continuous Concrete Strut	1.99	(2.96)	240	(73.15)	480	(146.3)

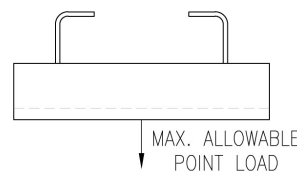
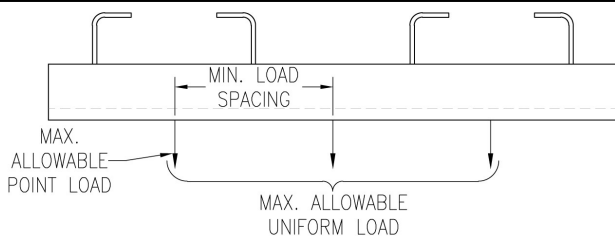
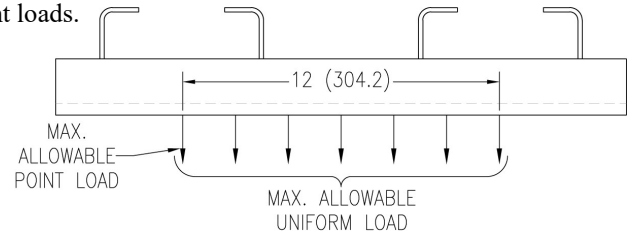
Length		Max. Allowable Point Load		Min. Spacing of Point Loads		Max. Allowable Uniform Load		Weight Each.	
in.	mm	lbs.	kN	in.	mm	lbs.	kN	lbs.	kg
3	(76.2)	500	(2.22)	-	-	500	(2.22)	0.50	(0.23)
4	(101.6)	800	(3.56)	-	-	800	(3.56)	0.66	(0.30)
6	(152.4)	1000	(4.45)	-	-	1000	(4.45)	1.00	(0.45)
8	(203.2)	1200	(5.34)	-	-	1200	(5.34)	1.33	(0.60)
12	(304.8)	2000	(8.9)	12	(304.8)	2000 lbs/ft	(29.19 kN/m)	1.99	(0.90)
16	(406.4)	2000	(8.9)	12	(304.8)	2000 lbs/ft	(29.19 kN/m)	2.65	(1.20)
20	(508.0)	2000	(8.9)	12	(304.8)	2000 lbs/ft	(29.19 kN/m)	3.32	(1.50)
24	(609.6)	2000	(8.9)	12	(304.8)	2000 lbs/ft	(29.19 kN/m)	3.98	(1.81)
32	(812.8)	2000	(8.9)	12	(304.8)	2000 lbs/ft	(29.19 kN/m)	5.31	(2.41)
36	(914.4)	2000	(8.9)	12	(304.8)	2000 lbs/ft	(29.19 kN/m)	5.97	(2.71)
40	(1016.0)	2000	(8.9)	12	(304.8)	2000 lbs/ft	(29.19 kN/m)	6.63	(3.01)
48	(1219.2)	2000	(8.9)	12	(304.8)	2000 lbs/ft	(29.19 kN/m)	7.96	(3.61)
60	(1524.0)	2000	(8.9)	12	(304.8)	2000 lbs/ft	(29.19 kN/m)	9.95	(4.51)
72	(1828.8)	2000	(8.9)	12	(304.8)	2000 lbs/ft	(29.19 kN/m)	11.94	(5.42)
84	(2133.6)	2000	(8.9)	12	(304.8)	2000 lbs/ft	(29.19 kN/m)	13.93	(6.32)
96	(2438.4)	2000	(8.9)	12	(304.8)	2000 lbs/ft	(29.19 kN/m)	15.92	(7.22)
108	(2743.2)	2000	(8.9)	12	(304.8)	2000 lbs/ft	(29.19 kN/m)	17.91	(8.12)
120	(3048.0)	2000	(8.9)	12	(304.8)	2000 lbs/ft	(29.19 kN/m)	19.90	(9.03)
144	(3657.6)	2000	(8.9)	12	(304.8)	2000 lbs/ft	(29.19 kN/m)	23.88	(10.83)
168	(4267.2)	2000	(8.9)	12	(304.8)	2000 lbs/ft	(29.19 kN/m)	27.86	(12.64)
192	(4876.8)	2000	(8.9)	12	(304.8)	2000 lbs/ft	(29.19 kN/m)	31.84	(14.44)
216	(5486.4)	2000	(8.9)	12	(304.8)	2000 lbs/ft	(29.19 kN/m)	35.82	(16.25)
240	(6096.0)	2000	(8.9)	12	(304.8)	2000 lbs/ft	(29.19 kN/m)	39.80	(18.05)

PHD figure numbers 4301 and 4302 have a maximum recommended load rating of 2000 lbs/ft (29.19 kN/m) section. This load rating was based upon a concrete compressive strength of 3000psi. (20.68 mPa) and a safety factor of 3. PHD figure numbers 4301 and 4302 can utilize strut nuts that were designed for use with 1000 series strut channel.

Minimum Edge Distance to Achieve Rated Pull-Out Capacity



The maximum allowable uniform load must be placed as a series of point loads.



The maximum allowable point load may be placed anywhere along the insert.

All loads placed less than 2" from the end of an insert must be reduced by 50%.

Unless otherwise specified, all dimensions on drawings and in charts are in inches and dimensions shown in parentheses are in millimeters.

CHANNEL
PIPE & CONDUIT SUPPORTS
STRUT NUTS & HARDWARE
CONCRETE INSERTS
END CAPS & CLOSURES
FLAT PLATE FITTINGS
90° ANGLE FITTINGS
ANGLE FITTINGS
"U" FITTINGS
"Z" FITTINGS
WING FITTINGS
SPECIALTY FITTINGS
TROLLEY ASSEMBLIES
POST BASES
BRACKETS & BRACE FITTINGS
BEAM CLAMPS
ROOFTOP SUPPORTS