



CONTINUOUS CONCRETE INSERT

4001 - 4002

MATERIAL: Low carbon steel
FINISH: Pre-galvanized
ORDERING: Available in various lengths. Specify length and figure number.

Note: Furnished with end caps and Expanded Polyethylene filler for clean and easy removal. (Coined steel inserts and plastic closure strips available upon request.)

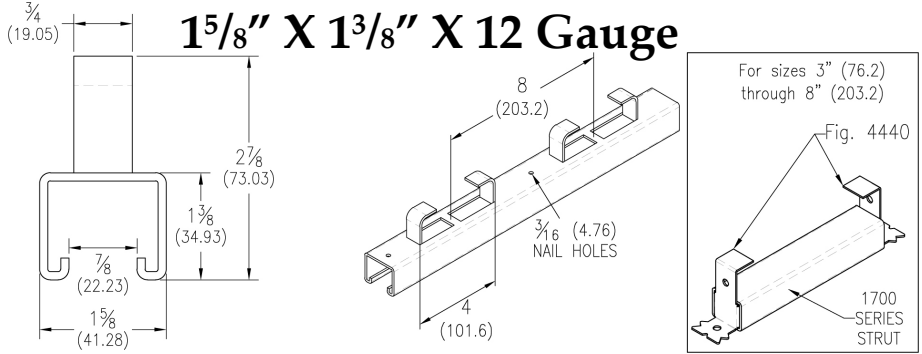


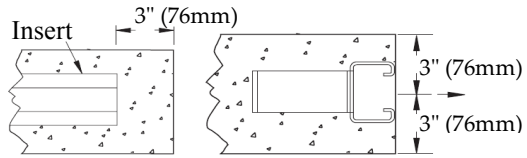
Fig. Number				Type - Description	Weight		Bundle Qty.			
10ft.	3.05m	20ft.	6.10m		lbs./ft.	kg/m	10ft.	3.05m	20ft.	6.10m
4001		4002		Continuous Concrete Strut	1.79	(2.66)	240	(73.15)	480	(146.3)

Available in stainless steel. To order, specify 304 or 316 and add suffix SS to fig. number. Price on request.

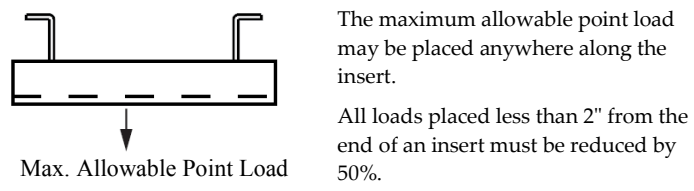
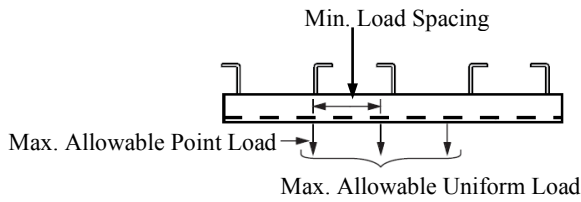
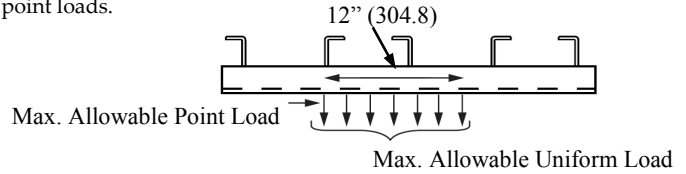
Length		Max. Allowable Point Load		Min. Spacing of Point Loads		Max. Allowable Uniform Load		Weight Each.	
in.	mm	lbs.	kN	in.	mm	lbs.	kN	lbs	kg
3	(76.2)	500	(2.22)	-	-	500	(2.22)	0.45	(0.20)
4	(101.6)	800	(3.56)	-	-	800	(3.56)	0.60	(0.27)
6	(152.4)	1000	(4.45)	-	-	1000	(4.45)	0.90	(0.41)
8	(203.2)	1200	(5.34)	-	-	1200	(5.34)	1.19	(0.54)
12	(304.8)	2000	(8.9)	12	(304.8)	2000 lbs/ft	(29.19 kN/m)	1.79	(0.81)
16	(406.4)	2000	(8.9)	12	(304.8)	2000 lbs/ft	(29.19 kN/m)	2.39	(1.08)
20	(508.0)	2000	(8.9)	12	(304.8)	2000 lbs/ft	(29.19 kN/m)	2.98	(1.35)
24	(609.6)	2000	(8.9)	12	(304.8)	2000 lbs/ft	(29.19 kN/m)	3.58	(1.62)
32	(812.8)	2000	(8.9)	12	(304.8)	2000 lbs/ft	(29.19 kN/m)	4.77	(2.17)
36	(914.4)	2000	(8.9)	12	(304.8)	2000 lbs/ft	(29.19 kN/m)	5.37	(2.44)
40	(1016.0)	2000	(8.9)	12	(304.8)	2000 lbs/ft	(29.19 kN/m)	5.97	(2.71)
48	(1219.2)	2000	(8.9)	12	(304.8)	2000 lbs/ft	(29.19 kN/m)	7.16	(3.25)
60	(1524.0)	2000	(8.9)	12	(304.8)	2000 lbs/ft	(29.19 kN/m)	8.95	(4.06)
72	(1828.8)	2000	(8.9)	12	(304.8)	2000 lbs/ft	(29.19 kN/m)	10.74	(4.87)
84	(2133.6)	2000	(8.9)	12	(304.8)	2000 lbs/ft	(29.19 kN/m)	12.53	(5.68)
96	(2438.4)	2000	(8.9)	12	(304.8)	2000 lbs/ft	(29.19 kN/m)	14.32	(6.50)
108	(2743.2)	2000	(8.9)	12	(304.8)	2000 lbs/ft	(29.19 kN/m)	16.11	(7.31)
120	(3048.0)	2000	(8.9)	12	(304.8)	2000 lbs/ft	(29.19 kN/m)	17.90	(8.12)
144	(3657.6)	2000	(8.9)	12	(304.8)	2000 lbs/ft	(29.19 kN/m)	21.48	(9.74)
168	(4267.2)	2000	(8.9)	12	(304.8)	2000 lbs/ft	(29.19 kN/m)	25.06	(11.37)
192	(4876.8)	2000	(8.9)	12	(304.8)	2000 lbs/ft	(29.19 kN/m)	28.64	(12.99)
216	(5486.4)	2000	(8.9)	12	(304.8)	2000 lbs/ft	(29.19 kN/m)	32.22	(14.61)
240	(6096.0)	2000	(8.9)	12	(304.8)	2000 lbs/ft	(29.19 kN/m)	35.80	(16.24)

PHD figure numbers 4001 and 4002 have a maximum recommended load rating of 2000 lbs/ft (29.19 kN/m) section. This load rating was based upon a concrete compressive strength of 3000psi. (20.68 mPa) and a safety factor of 3. PHD figure numbers 4001 and 4002 can utilize strut nuts that were designed for use with 1700 series strut channel.

Minimum Edge Distance to Achieve Rated Pull-Out Capacity



The maximum allowable uniform load must be placed as a series of point loads.



Unless otherwise specified, all dimensions on drawings and in charts are in inches and dimensions shown in parentheses are in millimeters.