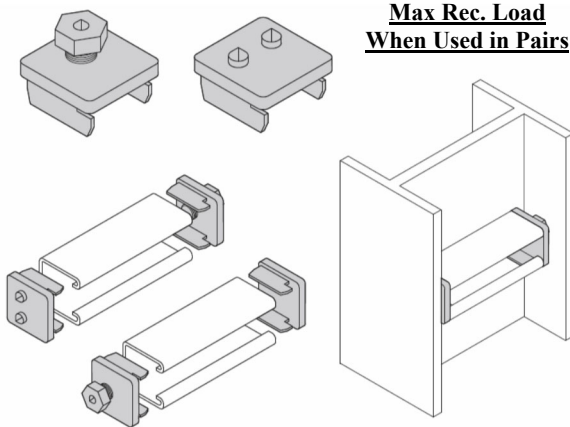


COLUMN SUPPORTS



8070

Column Support for 1⁵/₈" Channel



Max Rec. Load
When Used in Pairs

Fig. Number	Std. Package	Max Rac. Load		Wt. Each	
		lbs.	kN	lbs.	kg
8070		800	(3.56)	.50	(.23)

Material: Low carbon steel

Finish: Electro-galvanized

Ordering: Specify figure number.

8075

Column Support for 1⁵/₈" Channel

Max Rec. Load
When Used in Pairs

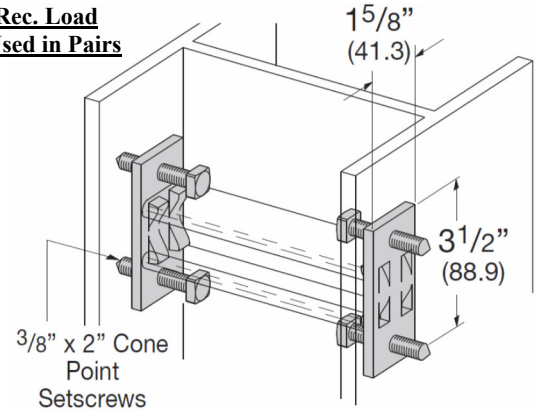


Fig. Number	Set Screw Torque		Std. Package	Max Rac. Load		Wt. Each	
	ft-lbs	N-m		lbs.	kN	lbs.	kg
8075	19	(25.76)		800	(3.56)	1.00	(.45)

Material: Low carbon steel

Finish: Electro-galvanized

Ordering: Specify figure number.

8076

Column Support for 1³/₁₆" Channel

Max Rec. Load
When Used in Pairs

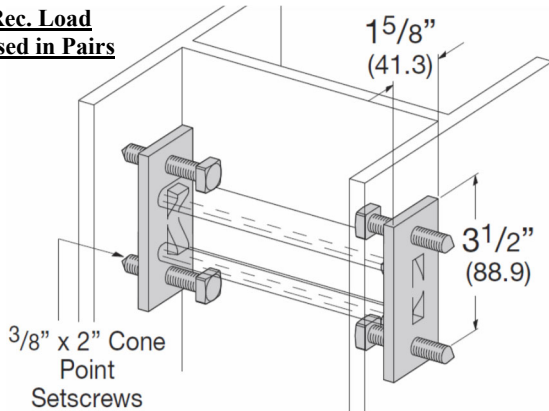


Fig. Number	Set Screw Torque		Std. Package	Max Rac. Load		Wt. Each	
	ft-lbs	N-m		lbs.	kN	lbs.	kg
8076	19	(25.76)		800	(3.56)	1.00	(.45)

Material: Low carbon steel

Finish: Electro-galvanized

Ordering: Specify figure number.

Unless otherwise specified, all dimensions on drawings and in charts are in inches and dimensions shown in parentheses are in millimeters.