

# ANGLE FITTINGS



## 5390 Single Adjustable Brace For use with 1 5/8" Strut

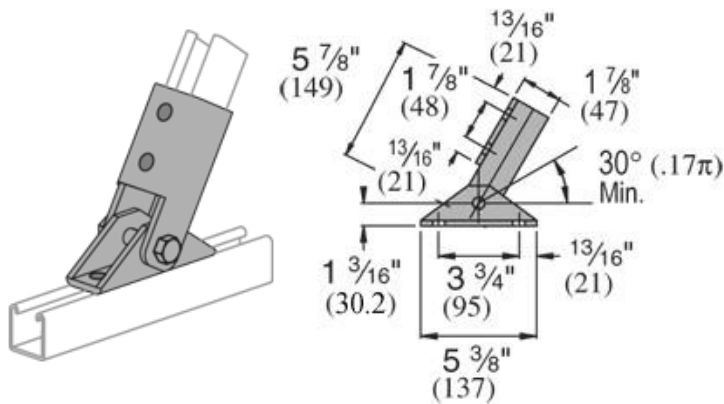


Fig. Number	Std. Package	Wt. Each	
		lbs.	kg
5390	5	3.07	(1.40)

**MATERIAL:** 1/4 (6.35)

**FINISH:** Electro-galvanized

**ORDERING:** Specify figure number.

**HOLE DIM:** 9/16 dia. • 13/16 from end • 17/8 on centers

## 5395 Double Adjustable Brace For use with 1 5/8" Strut

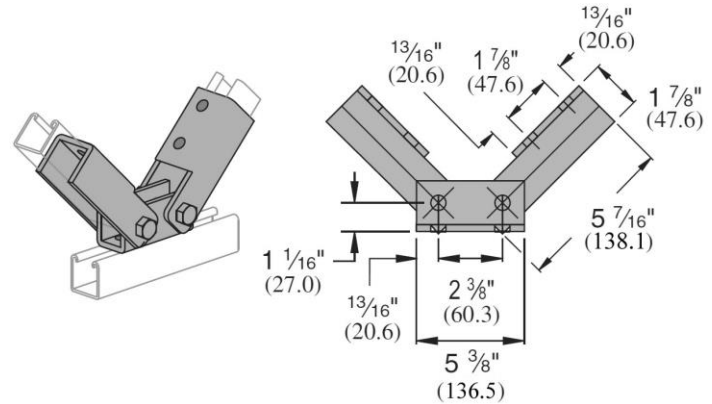


Fig. Number	Std. Package	Wt. Each	
		lbs.	kg
5395	5	4.97	(2.25)

**MATERIAL:** 1/4 (6.35)

**FINISH:** Electro-galvanized

**ORDERING:** Specify figure number.

**HOLE DIM:** 9/16 dia. • 13/16 from end • 17/8 on centers

Unless otherwise specified, all dimensions on drawings and in charts are in inches and dimensions shown in parentheses are in millimeters.