



PIPE CLAMPS

7251 - 7265 Standard Pipe Strap

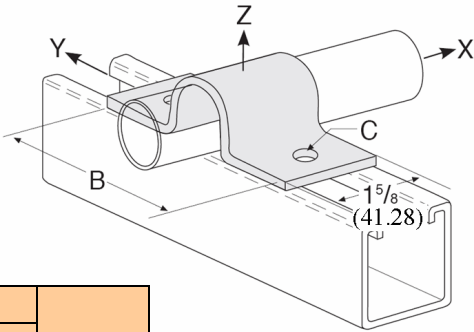


Fig. Number	Pipe Size	B		C		Std. Package	Material Size		Max. Rec. Load						Wt. Each		
									X		Y		Z				
									lbs.	kN	lbs.	kN	lbs.	kN	lbs.	kg	
7251	1/2	(15)	2 ⁷ / ₈	(73.03)	5 ⁵ / ₁₆	(7.94)	25	1/8	(3.18)	105	(0.47)	150	(0.67)	600	(2.67)	.29	(.13)
7252	3/4	(20)	3 ¹ / ₁₆	(77.79)	5 ⁵ / ₁₆	(7.94)	25	1/8	(3.18)	105	(0.47)	150	(0.67)	600	(2.67)	.32	(.15)
7253	1	(25)	3 ¹ / ₂	(88.90)	5 ⁵ / ₁₆	(7.94)	25	1/8	(3.18)	120	(0.53)	150	(0.67)	600	(2.67)	.35	(.16)
7254	1 ¹ / ₄	(32)	3 ¹³ / ₁₆	(96.84)	5 ⁵ / ₁₆	(7.94)	25	1/8	(3.18)	120	(0.53)	150	(0.67)	600	(2.67)	.41	(.19)
7255	1 ¹ / ₂	(40)	3 ¹⁵ / ₁₆	(100.01)	5 ⁵ / ₁₆	(7.94)	25	1/8	(3.18)	120	(0.53)	150	(0.67)	600	(2.67)	.45	(.20)
7256	2	(50)	5 ¹ / ₁₆	(128.59)	7 ⁷ / ₁₆	(11.11)	10	1/4	(6.35)	180	(0.80)	480	(2.14)	1200	(5.34)	1.00	(.45)
7257	2 ¹ / ₂	(65)	6 ³ / ₁₆	(157.16)	7 ⁷ / ₁₆	(11.11)	10	1/4	(6.35)	180	(0.80)	480	(2.14)	1200	(5.34)	1.13	(.51)
7258	3	(80)	6 ¹¹ / ₁₆	(169.86)	7 ⁷ / ₁₆	(11.11)	10	1/4	(6.35)	300	(1.33)	480	(2.14)	1200	(5.34)	1.32	(.60)
7259	3 ¹ / ₂	(90)	7 ⁵ / ₁₆	(185.74)	7 ⁷ / ₁₆	(11.11)	10	1/4	(6.35)	300	(1.33)	480	(2.14)	1200	(5.34)	1.51	(.68)
7260	4	(100)	8	(203.20)	7 ⁷ / ₁₆	(11.11)	10	1/4	(6.35)	450	(2.00)	600	(2.67)	1500	(6.67)	1.66	(.75)
7261	5	(125)	9	(228.60)	7 ⁷ / ₁₆	(11.11)	10	1/4	(6.35)	450	(2.00)	600	(2.67)	1500	(6.67)	1.91	(.87)
7262	6	(150)	10 ¹ / ₈	(257.18)	7 ⁷ / ₁₆	(11.11)	10	1/4	(6.35)	450	(2.00)	600	(2.67)	1500	(6.67)	2.23	(1.01)
7263	8	(200)	12	(304.80)	7 ⁷ / ₁₆	(11.11)	5	1/4	(6.35)	600	(2.67)	800	(3.56)	2000	(8.90)	2.97	(1.35)
7264	10	(250)	14	(355.60)	9 ⁹ / ₁₆	(14.29)	Bulk	1/4	(6.35)	600	(2.67)	800	(3.56)	2000	(8.90)	3.67	(1.66)
7265	12	(300)	16	(406.40)	9 ⁹ / ₁₆	(14.29)	Bulk	1/4	(6.35)	600	(2.67)	800	(3.56)	2000	(8.90)	4.30	(1.95)

MATERIAL: Low carbon steel

FINISH:
Electro-galvanized

ORDERING: Specify figure number and pipe size.

Available in stainless steel. To order, specify 304 or 316 and add suffix SS to fig. number. Price on request.

Unless otherwise specified, all dimensions on drawings and in charts are in inches and dimensions shown in parentheses are in millimeters.