

PIPE SUPPORTS

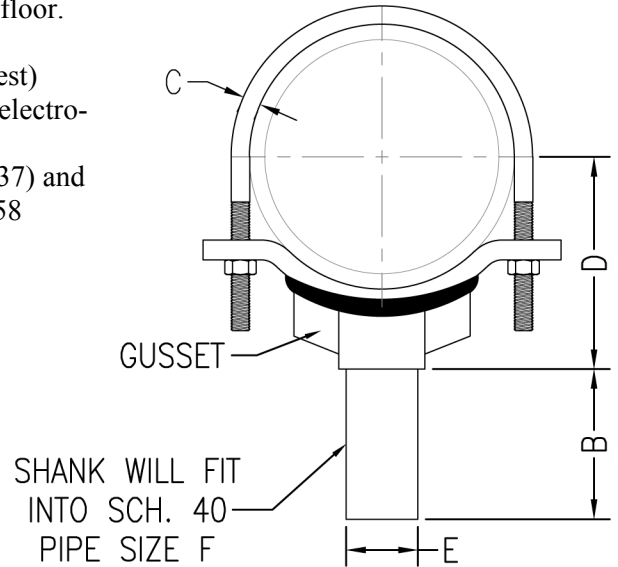


PIPE SADDLE SUPPORT WITH U-BOLT

FIG. 882

- Function:** Designed to support horizontal pipe running close to the floor. The U-bolt securely holds the pipe to the saddle.
- Material:** Carbon steel (Type 304 or 316 Stainless Steel upon request)
- Finish:** Plain or electro-galvanized (Hot dipped galvanized with electro-galvanized hardware upon request)
- Approvals:** Complies with Federal Specification A-A-1192A (Type 37) and Manufacturers' Standardization Society ANSI/MSS SP-58 (Type 37) which supersedes ANSI/MSS SP-69.
- Ordering:** Specify figure number, pipe size, material, and finish.

NOTE: Gussets furnished on 8" (200) and larger.



Pipe Size		B		C		D		E		Pipe size F		Max. Rec. Load		Wt. Each	
												lbs.	kN	lbs.	kg
2½	(65)	4	(101.6)	½	(12.70)	3 ¹¹ / ₁₆	(93.66)	1½	(38.10)	1½	(40)	1800	(8.01)	4.85	(2.20)
3	(80)	4	(101.6)	½	(12.70)	4	(101.60)	1½	(38.10)	1½	(40)	1800	(8.01)	5.00	(2.27)
3½	(90)	4	(101.6)	½	(12.70)	4¼	(107.95)	1½	(38.10)	1½	(40)	1800	(8.01)	5.20	(2.36)
4	(100)	4	(101.6)	½	(12.70)	4½	(114.30)	2 ³ / ₈	(60.33)	2½	(65)	3800	(16.90)	4.95	(2.25)
5	(125)	4	(101.6)	½	(12.70)	5 ¹ / ₁₆	(128.59)	2 ³ / ₈	(60.33)	2½	(65)	3800	(16.90)	5.15	(2.34)
6	(150)	4	(101.6)	5/8	(15.88)	5 ¹¹ / ₁₆	(144.46)	2 ³ / ₈	(60.33)	2½	(65)	3800	(16.90)	7.95	(3.61)
8	(200)	4	(101.6)	5/8	(15.88)	6 ¹¹ / ₁₆	(169.86)	2 ³ / ₈	(60.33)	2½	(65)	3800	(16.90)	9.65	(4.38)
10	(250)	4	(101.6)	¾	(19.05)	8	(203.20)	2 ³ / ₈	(60.33)	2½	(65)	3800	(16.90)	14.25	(6.46)
12	(300)	4	(101.6)	7/8	(22.23)	9	(228.60)	2 ³ / ₈	(60.33)	2½	(65)	3800	(16.90)	17.80	(8.07)
14	(350)	4	(101.6)	7/8	(22.23)	11¾	(298.45)	2 ⁷ / ₈	(73.03)	3	(80)	5300	(23.58)	29.05	(13.18)
16	(400)	4	(101.6)	7/8	(22.23)	12¾	(323.85)	2 ⁷ / ₈	(73.03)	3	(80)	5300	(23.58)	31.50	(14.29)
18	(450)	4	(101.6)	1	(25.40)	15	(381.00)	4	(101.60)	4	(100)	6700	(29.80)	48.30	(21.91)
20	(500)	4	(101.6)	1	(25.40)	16	(406.40)	4	(101.60)	4	(100)	6700	(29.80)	53.15	(24.11)
24	(600)	4	(101.6)	1	(25.40)	18½	(469.90)	4	(101.60)	4	(100)	7300	(32.47)	69.00	(31.30)
30	(750)	4	(101.6)	1	(25.40)	21	(533.40)	4	(101.60)	4	(100)	7300	(32.47)	83.95	(38.08)
36	(900)	4	(101.6)	1	(25.40)	24	(609.60)	4	(101.60)	4	(100)	7300	(32.47)	96.50	(43.77)