

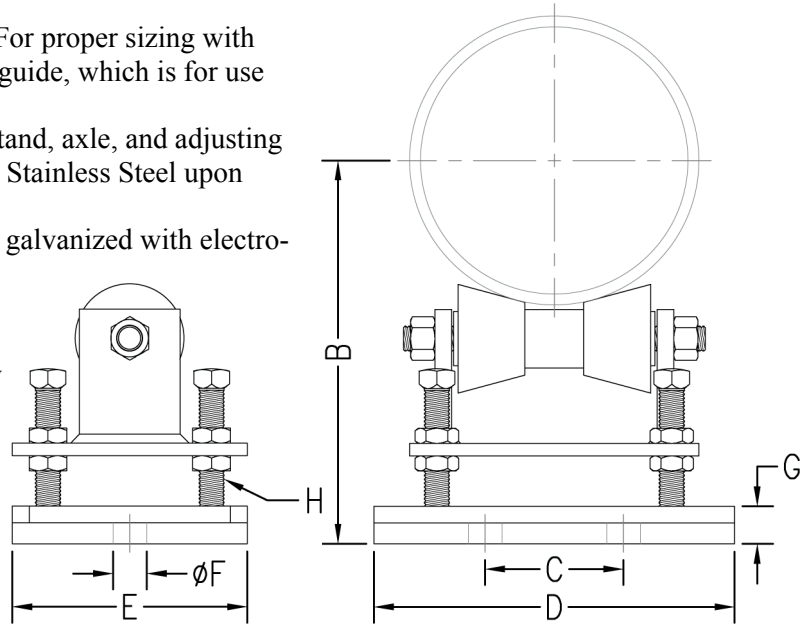
PIPE ROLLER SUPPORTS



ADJUSTABLE PIPE ROLLER STAND WITH BASE

FIG. 487

- Function:** Designed to support pipe in applications where horizontal movement, due to expansion and contraction, will occur and vertical adjustment is required.
- Sizing:** Pipe roller size shown is for bare pipe. For proper sizing with insulation, refer to pipe roller selection guide, which is for use with pipe covering protection saddles.
- Material:** Cast iron pipe roller with carbon steel stand, axle, and adjusting screws with locknuts. (Type 304 or 316 Stainless Steel upon request)
- Finish:** Plain or electro-galvanized (Hot dipped galvanized with electro-galvanized hardware upon request)
- Approvals:** Complies with Federal Specification A-A-1192A (Type 46) and Manufacturers' Standardization Society ANSI/MSS SP-58 (Type 46) which supersedes ANSI/MSS SP-69.
- Ordering:** Specify figure number, pipe roller size, material, and finish.



NOTE: Refer to Fig. 486 for measurements of roller stand.

| Pipe Roller Size | B | | | | | C | D | E | Hole Size F | G | Bolt Size H | Max. Rec. Load | | Wt. Each | |
|------------------|---------|----------|---------|----------|--------|--------|-------|---|-------------|-------|-------------|----------------|--------|----------|--|
| | Min. | Max. | lbs. | kN | lbs. | | | | | | | kg | | | |
| 2 (50) | 5 1/8 | (130.18) | 5 3/8 | (136.53) | 3 7/8 | 7 | 5 1/2 | 1 | 1 | 5/8 | 390 | (1.73) | 12.03 | (5.46) | |
| 2 1/2 (65) | 5 3/8 | (136.53) | 5 5/8 | (142.88) | | | | | | | | | | | |
| 3 (80) | 5 3/4 | (146.05) | 6 | (152.40) | | | | | | | | | | | |
| 3 1/2 (90) | 6 | (152.40) | 6 1/4 | (158.75) | 5 1/8 | 8 3/8 | 6 | 1 | 1 | 5/8 | 950 | (4.23) | 15.24 | (6.91) | |
| 4 (100) | 6 1/2 | (165.10) | 7 | (177.80) | | | | | | | | | | | |
| 5 (125) | 7 | (177.80) | 7 1/2 | (190.50) | | | | | | | | | | | |
| 6 (150) | 7 5/8 | (193.68) | 8 1/8 | (206.38) | 7 3/8 | 10 3/4 | 7 | 1 | 1 1/8 | 3/4 | 2100 | (9.34) | 30.59 | (13.88) | |
| 8 (200) | 10 3/8 | (263.53) | 11 5/8 | (295.28) | | | | | | | | | | | |
| 10 (250) | 11 1/2 | (292.10) | 12 3/4 | (323.85) | | | | | | | | | | | |
| 12 (300) | 13 | (330.20) | 14 1/4 | (361.95) | 9 1/2 | 13 1/2 | 8 3/8 | 1 | 1 3/8 | 7/8 | 3075 | (13.68) | 44.96 | (20.39) | |
| 14 (350) | 13 5/8 | (346.08) | 14 7/8 | (377.83) | | | | | | | | | | | |
| 16 (400) | 15 1/4 | (387.35) | 16 5/8 | (422.28) | | | | | | | | | | | |
| 18 (450) | 16 3/8 | (415.93) | 17 3/4 | (450.85) | 11 1/8 | 14 1/2 | 9 | 1 | 1 3/8 | 1 | 4980 | (22.15) | 64.10 | (29.08) | |
| 20 (500) | 17 3/8 | (441.33) | 18 3/4 | (476.25) | | | | | | | | | | | |
| 24 (600) | 19 5/8 | (498.48) | 21 | (533.40) | | | | | | | | | | | |
| 30 (750) | 24 | (609.60) | 26 3/4 | (679.45) | 12 1/4 | 16 1/4 | 9 1/4 | 1 | 1 3/8 | 1 | 6100 | (27.13) | 76.68 | (34.78) | |
| 36 (900) | 23 3/16 | (588.96) | 29 3/16 | (741.36) | | | | | | | | | | | |
| 42 (1050) | 29 1/4 | (742.95) | 32 1/4 | (819.15) | | | | | | | | | | | |
| | | | | | 15 3/4 | 19 1/4 | 12 | 1 | 1 5/8 | 1 1/4 | 7500 | (33.36) | 142.25 | (64.52) | |
| | | | | | | | | | | | | | | | |
| | | | | | | | | | | | | | | | |
| | | | | | 16 | 22 | 12 | 1 | 1 5/8 | 1 1/2 | 12000 | (53.38) | 156.23 | (70.86) | |
| | | | | | | | | | | | | | | | |
| | | | | | | | | | | | | | | | |

Unless otherwise specified, all dimensions on drawings and in charts are in inches and dimensions shown in parentheses are in millimeters.