

SEISMIC BRACING



SWAY BRACE PIPE ATTACHMENT

FIG. 010

Function: Designed for bracing pipe against sway and seismic disturbance. The pipe attachment component of a sway brace system used in conjunction with a PHD Manufacturing structural attachment fitting, and joined together with a bracing pipe element forms a complete sway brace assembly. Sway brace assemblies are intended to be installed in accordance with NFPA 13 and the manufacturer's installation instructions.

Size: Pipe size 1" (25) thru 4" (100).

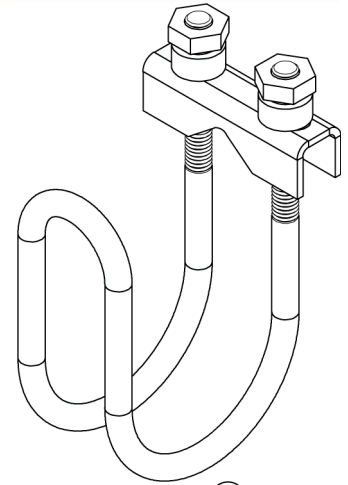
Material: Carbon steel

Finish: Electro-galvanized

Install: Place over the pipe to be braced, adjust brace angle, and insert bracing pipe through opening leaving a minimum of 1" (25.4) extending from attachment. Brace pipe can be installed on top or bottom of pipe to be braced but must be a minimum of 6" (152.4) away from a pipe joint. Tighten nuts down evenly until hex heads break off.

Approvals: Underwriters Laboratories listed for US and Canada and Factory Mutual approved. Listed for use with NFPA and PHD sway brace components only.

Ordering: Specify figure number, brace pipe size, and sprinkler pipe size.



UL Maximum Design Load							
Pipe Size SCH 40		lbs.	kN	Wt. Each			
				1" (25mm) Brace Pipe		1 1/4" (32mm) Brace Pipe	
				lbs.	kg	lbs.	kg
*1	(25)	1000	(4.45)	0.71	(0.32)	0.75	(0.34)
1 1/4	(32)	1000	(4.45)	0.76	(0.34)	0.79	(0.36)
1 1/2	(40)	1000	(4.45)	0.79	(0.36)	0.82	(0.37)
2	(50)	1000	(4.45)	0.84	(0.38)	0.88	(0.40)
2 1/2	(65)	1000	(4.45)	0.90	(0.41)	0.94	(0.43)
3	(80)	1000	(4.45)	0.98	(0.44)	1.02	(0.46)
4	(100)	1000	(4.45)	1.10	(0.50)	1.14	(0.52)

* Restraint only

FM Maximum Design Load				
Brace Pipes 1" or 1 1/4"				
(GB/T3091, EN10255H, or JISG3454)				
Pipe Size SCH 10, 40 & Flow Pipe		Brace Angle From Vertical (Degrees)	lbs.	kN
1	(25)	30° - 44°	340	(1.51)
		45° - 59°	480	(2.13)
		60° - 74°	590	(2.62)
		75° - 90°	660	(2.93)
1 1/4	(32)	30° - 44°	350	(1.55)
		45° - 59°	500	(2.22)
		60° - 74°	610	(2.71)
		75° - 90°	680	(3.02)
1 1/2	(40)	30° - 44°	290	(1.28)
		45° - 59°	420	(1.86)
		60° - 74°	510	(2.26)
		75° - 90°	570	(2.53)
2	(50)	30° - 44°	390	(1.73)
		45° - 59°	550	(2.44)
		60° - 74°	670	(2.98)
		75° - 90°	750	(3.33)
2 1/2	(65)	30° - 44°	440	(1.95)
		45° - 59°	620	(2.75)
		60° - 74°	760	(3.38)
		75° - 90°	850	(3.78)
3	(80)	30° - 44°	470	(2.09)
		45° - 59°	660	(2.93)
		60° - 74°	810	(3.33)
		75° - 90°	910	(4.04)
4	(100)	30° - 44°	430	(1.91)
		45° - 59°	610	(2.71)
		60° - 74°	750	(3.33)
		75° - 90°	840	(3.73)

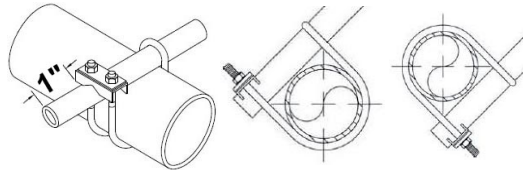


PHD Manufacturing, Inc.

44018 Columbiana-Waterford Road
 Columbiana, Ohio 44408-9481
 Phone: 800-321-2736 • 330-482-9256
 Fax: 330-482-2763
 Web: www.phd-mfg.com

FIG. 010 SWAY BRACE PIPE ATTACHMENT

- Pipe Braced:** 1", 1 1/4", 1 1/2", 2", 2 1/2", 3", 4", 6"
- Bracing:** 1" Or 1 1/4" SCH40 steel pipe
- Function:** Designed for bracing pipe against sway and seismic disturbance. The pipe attachment component of a sway brace system used in conjunction with a PHD Manufacturing structural attachment fitting, and joined together with a bracing pipe element forms a complete sway brace assembly. Sway brace assemblies are intended to be installed in accordance with NFPA 13 and the manufacturer's installation instructions.
- Approvals:** Underwriters Laboratories listed for US and Canada (1" system pipe size listed as a restraint only) Factory Mutual approved Listed for use with NFPA and PHD sway brace components only
- Material:** Low Carbon Steel
- Installation:** Place over the pipe to be braced, adjust brace angle, and insert bracing pipe through opening leaving a minimum of 1" extending from attachment. Brace pipe can be installed on top or bottom of pipe to be braced but must be a minimum of 6" away from a pipe joint. Tighten nuts down evenly until hex heads break off.



UL Maximum Design Loads		
Pipe Size Schedule 40	Brace Pipe Size Schedule 40	lbs.
1*	1 & 1 1/4	1000
1 1/4	1 & 1 1/4	1000
1 1/2	1 & 1 1/4	1000
2	1 & 1 1/4	1000
2 1/2	1 & 1 1/4	1000
3	1 & 1 1/4	1000
4	1 & 1 1/4	1000
6	1 1/4	1600

* UL listed as a restraint device only.

FM Approved Loads							
Orientation	Pipe Size	Pipe Schedule	Allowable Horizontal Capacity Per Installation Angle (lbs.)				Brace Pipe Size Schedule 40
			Brace Angle From Vertical				
			30° - 44°	45° - 59°	60° - 74°	75° - 90°	
Lateral	1	LW, 10, 40	340	480	590	660	1" or 1 1/4"
Lateral	1 1/4	LW, 10, 40	350	500	610	680	1" or 1 1/4"
Lateral	1 1/2	LW, 10, 40	290	420	510	570	1" or 1 1/4"
Lateral	2	LW, 10, 40	390	550	670	750	1" or 1 1/4"
Lateral	2 1/2	LW, 10, 40	440	620	760	850	1" or 1 1/4"
Lateral	3	LW, 10, 40	470	660	810	910	1" or 1 1/4"
Lateral	4	LW, 10, 40	430	610	750	840	1" or 1 1/4"
Lateral	6	LW, 10, 40	250	350	430	480	1 1/4"

NOTE: LW above refers to FM Approved Lightwall pipe, commonly referred to as Schedule 7. These ratings may also be applied to EN10220 and GB/T 8163 pipe. Schedule 10 above may be applied to GB/T 3091, GB/T 3092, EN 10255 M and H, JIS G3452. Schedule 40 above may be applied to GB/T3091, EN10255H or JISG3454 brace pipe.

The Complete Line of Pipe Supports and Devices
 Pipe Hangers ▲ Strut & Accessories ▲ Pipe Clamps ▲ Beam Clamps ▲ Shields