

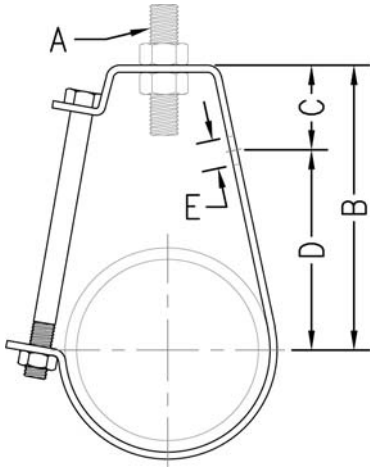


www.phd-mfg.com

CLEVIS HANGERS

FIG. 970, 970F, & 973

J-HANGER



Function: Designed for the suspension of stationary piping systems. The “T” slot in the hanger permits the side bolt to be installed after installation and setting of pipe. The side hole permits optional wall mounting. Fig. 970F has a layer of felt which helps to reduce vibration and sound.

Material: Carbon steel

Finish: Electro-galvanized (**Fig. 970**), electro-galvanized with felt lining (**Fig. 970F**), or electro-galvanized with PVC coating (**Fig. 973**)

Approvals: Complies with Federal Specification A-A-1192A (Type 5) and Manufacturers’ Standardization Society ANSI/MSS SP-58 (Type 5) which supersedes ANSI/MSS SP-69.

Ordering: Specify figure number and pipe size.

NOTE: If ordering Fig. 970F felt lined hangers for pipe sizes of 3 1/2" (90) or under, order the next largest size to allow for the thickness of the felt lining.

Pipe Size	Rod Size A	B		C		D		Hole Dia. E		Max. Rec. Load		Wt. Each		
		in.	mm.	in.	mm.	in.	mm.	in.	mm.	lbs.	kN	lbs.	kg	
1/2	(15)	3/8	29/8	(66.68)	1	(25.40)	1 5/8	(41.28)	13/32	(10.32)	400	(1.78)	.20	(.09)
3/4	(20)	3/8	2 7/8	(73.03)	1	(25.40)	1 7/8	(47.63)	13/32	(10.32)	400	(1.78)	.23	(.10)
1	(25)	3/8	3 1/16	(77.79)	1	(25.40)	2 1/16	(52.39)	13/32	(10.32)	400	(1.78)	.24	(.11)
1 1/4	(32)	3/8	3 5/16	(84.14)	1 1/16	(26.99)	2 1/4	(57.15)	13/32	(10.32)	400	(1.78)	.27	(.12)
1 1/2	(40)	3/8	3 9/16	(90.49)	1 1/16	(26.99)	2 1/2	(63.50)	13/32	(10.32)	400	(1.78)	.29	(.13)
2	(50)	3/8	3 3/4	(95.25)	1 1/8	(28.58)	2 5/8	(66.68)	13/32	(10.32)	400	(1.78)	.32	(.15)
2 1/2	(65)	1/2	4 1/16	(112.71)	1 1/8	(28.58)	3 5/16	(84.14)	9/16	(14.29)	800	(3.56)	.71	(.32)
3	(80)	1/2	4 7/8	(123.83)	1 1/8	(28.58)	3 3/4	(95.25)	9/16	(14.29)	800	(3.56)	.77	(.35)
3 1/2	(90)	1/2	5 3/16	(131.76)	1 1/8	(28.58)	4 1/16	(103.19)	9/16	(14.29)	800	(3.56)	.84	(.38)
4	(100)	5/8	6 1/8	(155.58)	1 1/8	(28.58)	5	(127.00)	9/16	(14.29)	800	(3.56)	1.39	(.63)
5	(125)	5/8	6 3/4	(171.45)	1 1/8	(28.58)	5 5/8	(142.88)	9/16	(14.29)	800	(3.56)	1.66	(.75)
6	(150)	3/4	7 3/4	(196.85)	1 1/4	(31.75)	6 1/2	(165.10)	9/16	(14.29)	1000	(4.45)	2.26	(1.03)
8	(200)	3/4	9 1/4	(234.95)	1 1/4	(31.75)	8	(203.20)	9/16	(14.29)	1200	(5.34)	3.32	(1.51)

Unless otherwise specified, all dimensions on drawings and in charts are in inches and dimensions shown in parentheses are in millimeters.

THREADED ACCESSORIES
CPVC STRAPS
BAND HANGERS
BEAM CLAMPS
CLEVIS HANGERS
PIPE ROLLER SUPPORTS
PIPE RING HANGERS
SPLIT RING HANGERS
PIPE CLAMPS
CENTER LOAD BEAM CLAMPS
PIPE SHIELDS, INSULATION, & SADDLES
PIPE GUIDES & SLIDES
WALL BRACKETS
PIPE SUPPORTS
STRUCTURAL ATTACHMENTS
SEISMIC BRACING