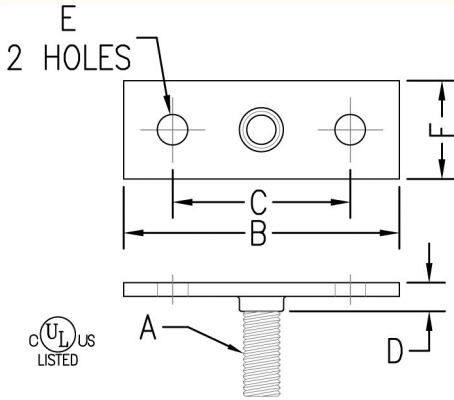


## FIG. 945 & 946

## STEEL CEILING PLATE



**Function:** Designed to provide a means for attaching hanger rod to wood beams or ceilings. The copper finish is for product identification only and is not intended for corrosion resistance.

**Material:** Carbon steel

**Finish:** Pre-galvanized (**Fig. 945**) or copper finish (**Fig. 946**)

**Approvals:** Underwriters' Laboratories Listed in the U.S. (UL) and Canada (CUL) for supporting up to 2" (50) pipe max. (Fig. 945 only)

**Ordering:** Specify figure number.

Rod Size A	B		C		D		E		F		Max. Rec. Load		Wt. Each	
		(mm)		(mm)		(mm)		(mm)		(mm)	lbs.	kN	lbs.	kg
3/8	2 13/16	(71.45)	1 13/16	(46.05)	5/16	(7.94)	5/16	(7.94)	1	(25.40)	180	(0.8)	.10	(.05)