

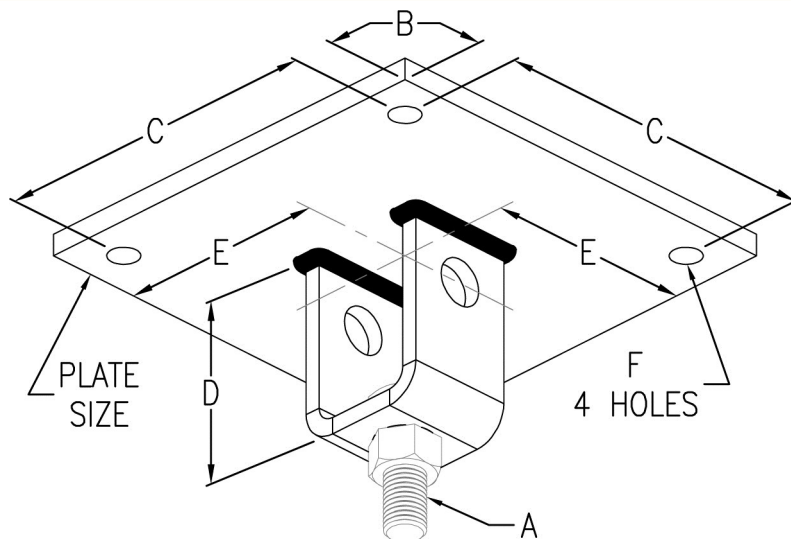
# STRUCTURAL ATTACHMENTS



## CONCRETE ROD ATTACHMENT PLATE

**FIG. 903**

- Function:** Designed for attaching hanger rod to a concrete ceiling.
- Material:** Carbon steel (Type 304 or 316 Stainless Steel upon request)
- Finish:** Plain or electro-galvanized (Hot dipped galvanized upon request)
- Ordering:** Specify figure number, rod size, material, and finish.



Rod Size A	B	C	D	E	F	Plate Size	Max. Rec. Load		Wt. Each	
							lbs.	kN	lbs.	kg
3/8	1 (25.40)	8 (203.20)	27/8 (73.03)	5 (127.00)	9/16 (14.29)	10 x 10 x 3/8 (254 x 254 x 9.53)	730	(3.25)	11.60	(5.26)
1/2	1 (25.40)	8 (203.20)	27/8 (73.03)	5 (127.00)	9/16 (14.29)	10 x 10 x 3/8 (254 x 254 x 9.53)	1350	(6.01)	11.60	(5.26)
5/8	1 (25.40)	8 (203.20)	27/8 (73.03)	5 (127.00)	9/16 (14.29)	10 x 10 x 3/8 (254 x 254 x 9.53)	2160	(9.61)	15.10	(6.85)
3/4	1 (25.40)	8 (203.20)	3 1/4 (82.55)	5 (127.00)	1 1/16 (17.46)	10 x 10 x 1/2 (254 x 254 x 12.7)	3230	(14.37)	16.10	(7.30)
7/8	1 (25.40)	8 (203.20)	4 1/4 (107.95)	5 (127.00)	1 1/16 (17.46)	10 x 10 x 1/2 (254 x 254 x 12.7)	4480	(19.93)	16.70	(7.57)
1	2 (50.80)	8 (203.20)	4 1/2 (114.30)	6 (152.40)	1 3/16 (20.64)	12 x 12 x 1/2 (304.8 x 304.8 x 12.7)	5900	(26.24)	34.90	(15.83)
1 1/8	2 (50.80)	8 (203.20)	4 3/4 (120.65)	6 (152.40)	1 3/16 (20.64)	12 x 12 x 1/2 (304.8 x 304.8 x 12.7)	7450	(33.14)	35.25	(15.99)
1 1/4	2 (50.80)	8 (203.20)	5 (127.00)	6 (152.40)	1 5/16 (23.81)	12 x 12 x 3/4 (304.8 x 304.8 x 19.05)	9500	(42.26)	38.70	(17.55)
1 1/2	2 (50.80)	8 (203.20)	6 1/2 (165.10)	6 (152.40)	1 1/16 (26.99)	12 x 12 x 1 (304.8 x 304.8 x 25.4)	13800	(61.39)	56.40	(25.58)
1 3/4	2 (50.80)	10 (254.00)	7 3/4 (196.85)	7 (177.80)	1 3/8 (34.93)	14 x 14 x 1 1/4 (355.6 x 355.6 x 31.75)	18600	(82.74)	88.10	(39.96)
2	2 (50.80)	10 (254.00)	8 1/4 (209.55)	7 (177.80)	1 3/8 (34.93)	14 x 14 x 1 1/4 (355.6 x 355.6 x 31.75)	24600	(109.43)	92.20	(41.82)

Unless otherwise specified, all dimensions on drawings and in charts are in inches and dimensions shown in parentheses are in millimeters.

THREADED ACCESSORIES  
CPVC STRAPS  
BAND HANGERS  
BEAM CLAMPS  
CLEVIS HANGERS  
PIPE ROLLER SUPPORTS  
SPLIT RING HANGERS  
PIPE CLAMPS  
CENTER LOAD BEAM CLAMPS  
PIPE SHIELDS, INSULATION, & SADDLES  
PIPE GUIDES & SLIDES  
WALL BRACKETS  
PIPE SUPPORTS  
STRUCTURAL ATTACHMENTS  
SEISMIC BRACING