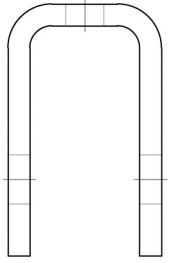
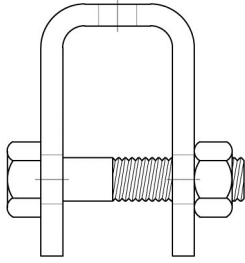


## FIG. 900 & 900-1

## WELDED BEAM ATTACHMENT



**Fig. 900-1**  
Without Bolt  
& Nut



**Fig. 900**  
With Bolt  
& Nut

**Function:** Designed for attaching hanger rod to the bottom flange of a beam. If installed in the inverted position, the hanger rod can be vertically adjusted otherwise bolt and nut are required.

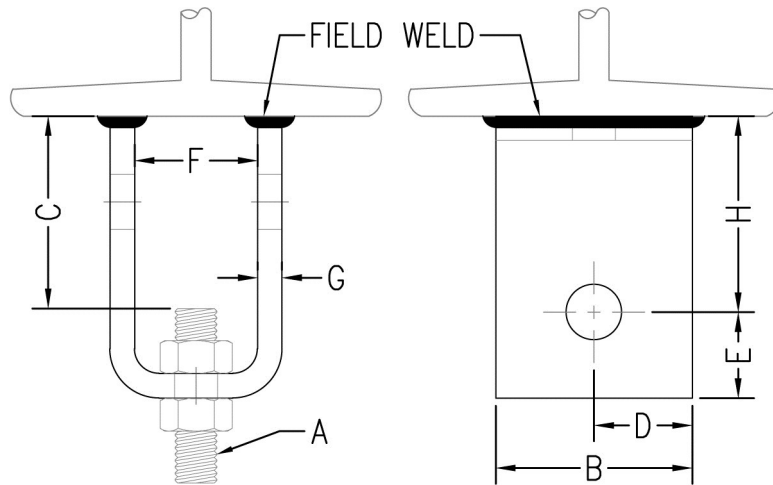
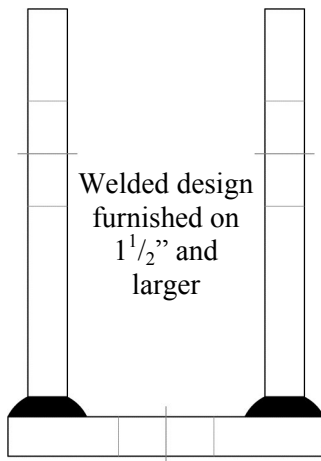
**Material:** Carbon steel (Type 304 or 316 Stainless Steel upon request)

**Finish:** Plain or electro-galvanized (Hot dipped galvanized with electro-galvanized hardware upon request)

**Approvals:** Complies with Federal Specification A-A-1192A (Type 22) and Manufacturers' Standardization Society ANSI/MSS SP-58 (Type 22) which supersedes ANSI/MSS SP-69.

**Ordering:** Specify figure number, rod size, material, and finish.

**NOTE:** The 1" size and larger are furnished with pin and cotter on Fig. 900.



Rod Size A	B		C		D		E		F		G	
3/8	2	(50.80)	1 7/8	(47.63)	1	(25.40)	7/8	(22.23)	1 1/4	(31.75)	3 ga.	--
1/2	2	(50.80)	1 3/4	(44.45)	1	(25.40)	7/8	(22.23)	1 1/4	(31.75)	3 ga.	--
5/8	2	(50.80)	1 3/4	(44.45)	1	(25.40)	7/8	(22.23)	1 1/4	(31.75)	3 ga.	--
3/4	2 1/2	(63.50)	2	(50.80)	1 1/4	(31.75)	1 1/4	(31.75)	2 1/4	(57.15)	3/8	(9.53)
7/8	2 1/2	(63.50)	3	(76.20)	1 1/4	(31.75)	1 1/4	(31.75)	2 3/8	(60.33)	3/8	(9.53)
1	3	(76.20)	3	(76.20)	1 1/2	(38.10)	1 1/2	(38.10)	2 3/4	(69.85)	1/2	(12.70)
1 1/8	3	(76.20)	3	(76.20)	1 1/2	(38.10)	1 3/4	(44.45)	3	(76.20)	1/2	(12.70)
1 1/4	4	(101.60)	3 1/2	(88.90)	2	(50.80)	2	(50.80)	3 1/2	(88.90)	5/8	(15.88)
1 1/2	5	(127.00)	4	(101.60)	2 1/2	(63.50)	2 1/2	(63.50)	3	(76.20)	3/4	(19.05)
1 3/4	5	(127.00)	5	(127.00)	2 1/2	(63.50)	2 3/4	(69.85)	3 3/4	(95.25)	3/4	(19.05)
2	6	(152.40)	5 1/4	(133.35)	3	(76.20)	3 1/4	(82.55)	3 3/4	(95.25)	3/4	(19.05)

Rod Size A	H	Bolt or Pin Size	Max. Rec. Load				Wt. Each				
			650°F (343°C)		750°F (399°C)		Fig. 900-1		Fig. 900		
			lbs.	kN	lbs.	kN	lbs.	kg	lbs.	kg	
3/8	2	(50.80)	1/2 x 2 1/2	730	(3.25)	572	(2.54)	.87	(.39)	1.13	(.51)
1/2	2	(50.80)	5/8 x 2 1/2	1350	(6.01)	1057	(4.70)	.85	(.39)	1.28	(.58)
5/8	2	(50.80)	3/4 x 2 1/2	2160	(9.61)	1692	(7.52)	.84	(.38)	1.50	(.68)
3/4	2	(50.80)	7/8 x 4	3230	(14.37)	2530	(11.25)	2.00	(.91)	3.04	(1.38)
7/8	3	(76.20)	1 x 4 1/2	4480	(19.93)	3508	(15.61)	2.50	(1.13)	4.02	(1.82)
1	3	(76.20)	1 1/8 x 5	5900	(26.24)	4620	(20.55)	4.14	(1.88)	6.30	(2.86)
1 1/8	3	(76.20)	1 1/4 x 5	7450	(33.14)	5834	(25.95)	4.37	(1.98)	7.15	(3.24)
1 1/4	3	(76.20)	1 3/8 x 6 1/2	9500	(42.26)	7440	(33.09)	8.50	(3.86)	12.62	(5.72)
1 1/2	4	(101.60)	1 5/8 x 6	13800	(61.39)	10807	(48.07)	16.41	(7.44)	23.23	(10.54)
1 3/4	5	(127.00)	1 7/8 x 7	18600	(82.74)	14566	(64.79)	18.70	(8.48)	24.20	(10.98)
2	5	(127.00)	2 1/4 x 7	24600	(109.43)	19265	(85.70)	22.80	(10.34)	30.60	(13.88)

Unless otherwise specified, all dimensions on drawings and in charts are in inches and dimensions shown in parentheses are in millimeters.