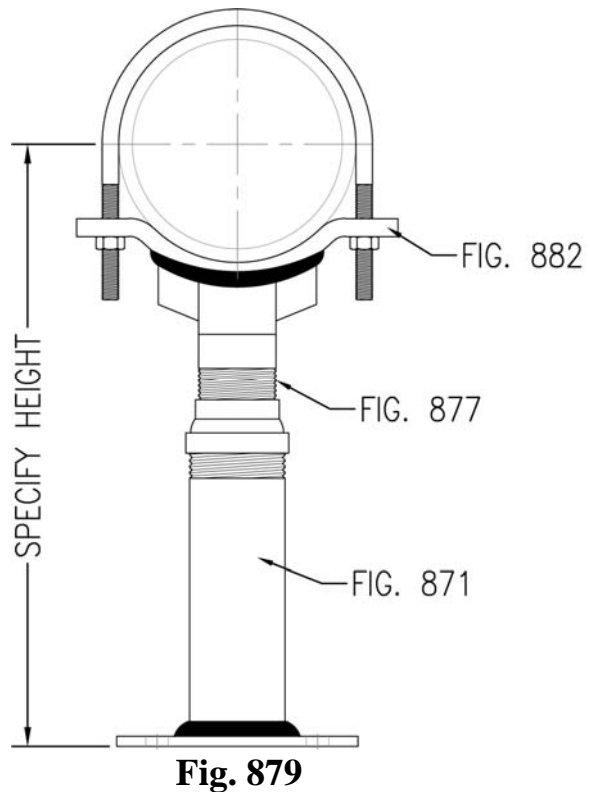
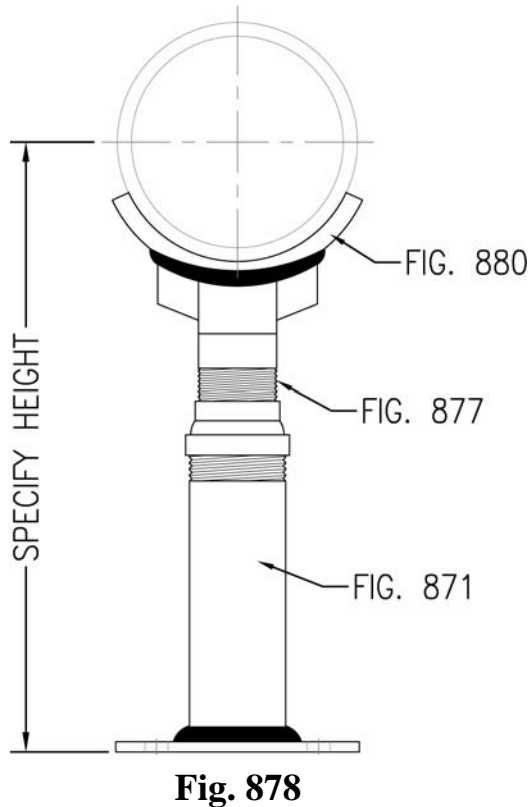


PIPE SUPPORTS



PIPE SUPPORT ADJUSTERS FIG. 878 & 879

- Function:** Designed to provide up to 4¹/₂" (114.3) of vertical adjustment after installation.
- Material:** Carbon steel with malleable iron reducer
- Finish:** Plain or electro-galvanized
- Ordering:** Specify figure number, pipe size, height to center of pipe, and finish.



- THREADED ACCESSORIES
- CPVC STRAPS
- BAND HANGERS
- BEAM CLAMPS
- CLEVIS HANGERS
- PIPE ROLLER SUPPORTS
- SPLIT RING HANGERS
- PIPE CLAMPS
- CENTER LOAD BEAM CLAMPS
- PIPE SHIELDS, INSULATION, & SADDLES
- PIPE GUIDES & SLIDES
- WALL BRACKETS
- PIPE SUPPORTS
- STRUCTURAL ATTACHMENTS
- SEISMIC BRACING