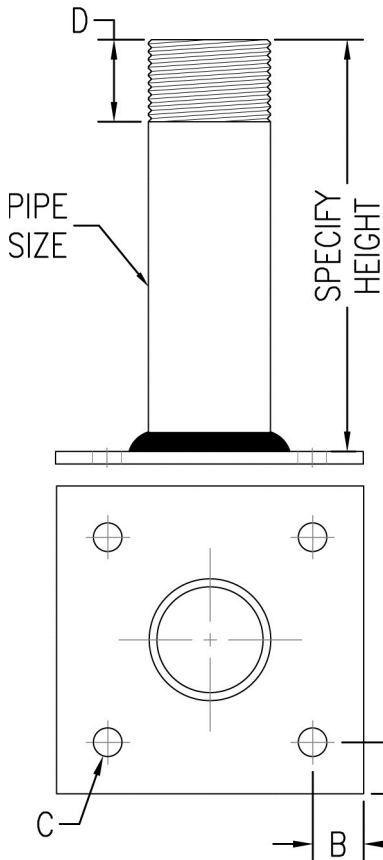


# PIPE SUPPORTS

**FIG. 871**

## THREADED BASE STAND



- Function:** Designed for use as a base stand for pipe supports.  
**Material:** Carbon steel (Type 304 or 316 Stainless Steel upon request)  
**Finish:** Plain or electro-galvanized (Hot dipped galvanized upon request)  
**Ordering:** Specify figure number, pipe size, height, material, and finish.

*NOTE: PHD Manufacturing Inc. is not responsible for the quality of the pipe threads if the product is supplied with hot dipped galvanized finish.*

Pipe Size	B	Hole Size C	Thread Length D	Plate Size		Wt. Each	
				lbs.	kg		
1	(25)	1 (25.40)	9/16 (14.29)	1 1/2 (38.10)	1/4 x 6 x 6 (6.35 x 152.4 x 152.4)	4.95	(2.25)
1 1/4	(32)	1 (25.40)	9/16 (14.29)	1 1/2 (38.10)	1/4 x 6 x 6 (6.35 x 152.4 x 152.4)	5.83	(2.64)
1 1/2	(40)	1 (25.40)	9/16 (14.29)	1 1/2 (38.10)	1/4 x 6 x 6 (6.35 x 152.4 x 152.4)	6.49	(2.94)
2	(50)	1 (25.40)	9/16 (14.29)	1 1/2 (38.10)	1/4 x 6 x 6 (6.35 x 152.4 x 152.4)	7.85	(3.56)
2 1/2	(65)	1 1/4 (31.75)	9/16 (14.29)	1 1/2 (38.10)	3/8 x 8 x 8 (9.53 x 203.2 x 203.2)	15.24	(6.91)
3	(80)	1 1/2 (38.10)	13/16 (20.64)	1 1/2 (38.10)	3/8 x 12 x 12 (9.53 x 304.8 x 304.8)	26.24	(11.90)
4	(100)	1 1/2 (38.10)	15/16 (23.81)	2 (50.80)	1/2 x 12 x 12 (12.7 x 304.8 x 304.8)	35.94	(16.30)
6	(150)	1 1/2 (38.10)	1 1/8 (28.58)	2 (50.80)	1/2 x 18 x 18 (12.7 x 457.2 x 457.2)	73.46	(33.32)