

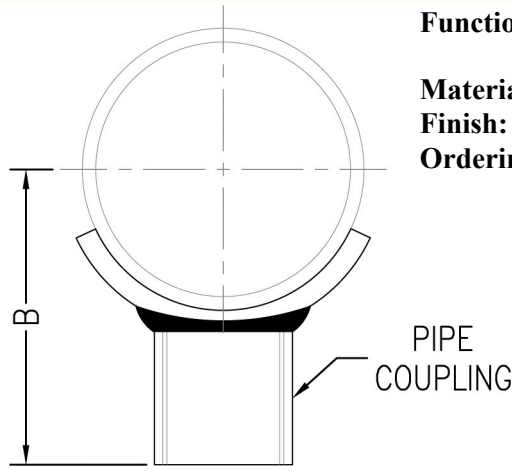


www.phd-mfg.com

PIPE SUPPORTS

FIG. 870

PIPE SADDLE SUPPORT WITH COUPLING



Function: Designed to support horizontal pipe from floor stanchions. Normally used in conjunction with Fig. 871 threaded base stand.

Material: Carbon steel (Type 304 or 316 Stainless Steel upon request)

Finish: Plain or electro-galvanized

Ordering: Specify figure number, pipe size, material, and finish.

Pipe Size		Coupling Pipe Size	B		Wt. Each	
					lbs.	kg
1½	(40)	1¼	3¼	(82.55)	.85	(.39)
2	(50)	1¼	3 ⁵ / ₈	(92.08)	1.12	(.51)
2½	(65)	1½	3 ⁷ / ₈	(98.43)	1.62	(.73)
3	(80)	1½	4 ³ / ₁₆	(106.36)	1.79	(.81)
3½	(90)	1½	4 ⁷ / ₁₆	(112.71)	1.94	(.88)
4	(100)	2	4 ³ / ₄	(120.65)	2.73	(1.24)
5	(125)	2	5 ⁵ / ₁₆	(134.94)	3.09	(1.40)
6	(150)	2½	6 ¹⁵ / ₁₆	(176.21)	5.86	(2.66)
8	(200)	2½	7 ¹⁵ / ₁₆	(201.61)	6.88	(3.12)
10	(250)	3	9 ¹ / ₈	(231.78)	10.11	(4.59)
12	(300)	3	10 ¹ / ₈	(257.18)	11.28	(5.12)

THREADED ACCESSORIES
CPVC STRAPS
BAND HANGERS
BEAM CLAMPS
CLEVIS HANGERS
PIPE ROLLER SUPPORTS
SPLIT RING HANGERS
PIPE CLAMPS
PIPE CLAMPS
CENTER LOAD BEAM CLAMPS
PIPE SHIELDS, INSULATION, & SADDLES
PIPE GUIDES & SLIDES
WALL BRACKETS
PIPE SUPPORTS
STRUCTURAL ATTACHMENTS
SEISMIC BRACING