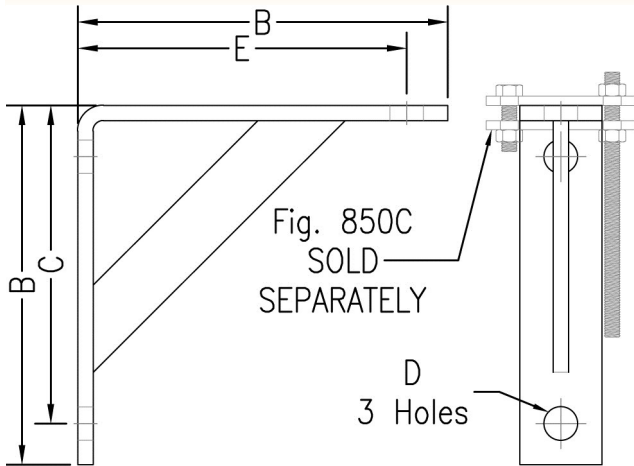


# WALL BRACKETS

**FIG. 850**

## LIGHT DUTY WALL BRACKET



**Function:** Designed to suspend hanger rod for support of light loads under 750 lbs. Normally used in conjunction with Fig. 850C wall bracket clip.

**Material:** Carbon steel (Type 304 or 316 Stainless Steel upon request)

**Finish:** Plain or electro-galvanized (Hot dipped galvanized upon request)

**Approvals:** Complies with Federal Specification A-A-1192A (Type 31) and Manufacturers' Standardization Society ANSI/MSS SP-58 (Type 31) which supersedes ANSI/MSS SP-69.

**Ordering:** Specify figure number, type number, material, and finish.

Type Number	B		C		Hole Size D		E		Max. Rec. Load		Wt. Each	
	in.	mm.	in.	mm.	in.	mm.	in.	mm.	lbs.	kN	lbs.	kg
1	9	(228.6)	6½	(165.1)	13/16	(20.64)	8	(203.2)	750	(3.34)	6.00	(2.72)
2	13	(330.2)	10½	(266.7)	13/16	(20.64)	12	(304.8)	750	(3.34)	8.70	(3.95)
3	19	(482.6)	16½	(419.1)	13/16	(20.64)	18	(457.2)	750	(3.34)	10.60	(4.81)