

PIPE & CONDUIT SUPPORTS



STRUT CLAMP FOR ELASTOMERIC INSULATION

FIG. 723025-729312

Clamp Material: Carbon steel

(Type 304 or 316 Stainless Steel upon request)

Cushion Material: Washington Penn TPO in accordance with ASTM D 4000, TEO0120, A45000. Classified 2043 (25/50) for use in plenums and air handling systems.

Finish: Western gold

Approvals: Complies with Federal Specification A-A-1192A (Type 61) and Manufacturers' Standardization Society ANSI/MSS SP-58 (Type 61) which supersedes ANSI/MSS SP-69.

Ordering: Specify figure number.

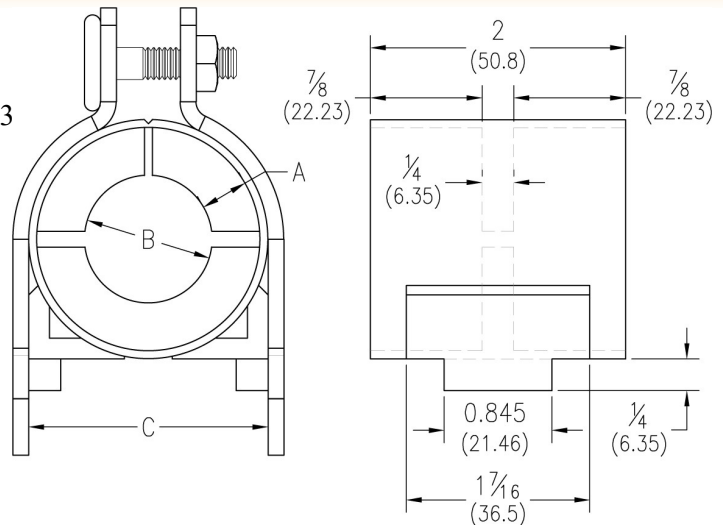


Fig. No.	Insulation Thickness "A"		O.D. "B"		C		Wt. Each	
							Lbs.	kg
723025	3/8	(9.5)	1/4	(6.35)	1 1/8	(28.58)	0.22	(0.10)
723037	3/8	(9.5)	3/8	(9.53)	1 1/4	(31.75)	0.31	(0.14)
723050	3/8	(9.5)	1/2	(12.70)	1 3/8	(34.93)	0.35	(0.16)
723062	3/8	(9.5)	5/8	(15.88)	1 1/2	(38.10)	0.37	(0.17)
723075	3/8	(9.5)	3/4	(19.05)	1 5/8	(41.28)	0.44	(0.20)
723087	3/8	(9.5)	7/8	(22.23)	1 3/4	(44.45)	0.46	(0.21)
723100	3/8	(9.5)	1	(25.40)	1 7/8	(47.63)	0.48	(0.22)
723112	3/8	(9.5)	1 1/8	(28.58)	2	(50.80)	0.50	(0.23)
723137	3/8	(9.5)	1 3/8	(34.93)	2 1/4	(57.15)	0.52	(0.23)
723162	3/8	(9.5)	1 5/8	(41.28)	2 1/2	(63.50)	0.58	(0.27)
723212	3/8	(9.5)	2 1/8	(53.98)	3	(76.20)	0.68	(0.31)
724025	1/2	(12.7)	1/4	(6.35)	1 3/8	(34.93)	0.35	(0.16)
724037	1/2	(12.7)	3/8	(9.53)	1 1/2	(38.10)	0.37	(0.17)
724050	1/2	(12.7)	1/2	(12.70)	1 5/8	(41.28)	0.44	(0.20)
724062	1/2	(12.7)	5/8	(15.88)	1 3/4	(44.45)	0.46	(0.21)
724075	1/2	(12.7)	3/4	(19.05)	1 7/8	(47.63)	0.48	(0.22)
724087	1/2	(12.7)	7/8	(22.23)	2	(50.80)	0.50	(0.23)
724100	1/2	(12.7)	1	(25.40)	2 1/8	(53.98)	0.41	(0.19)
724112	1/2	(12.7)	1 1/8	(28.58)	2 1/4	(57.15)	0.52	(0.23)
724137	1/2	(12.7)	1 3/8	(34.93)	2 1/2	(63.50)	0.58	(0.27)
724162	1/2	(12.7)	1 5/8	(41.28)	2 3/4	(69.85)	0.63	(0.29)
724212	1/2	(12.7)	2 1/8	(53.98)	3 1/4	(82.55)	0.73	(0.33)
724262	1/2	(12.7)	2 5/8	(66.68)	3 3/4	(95.25)	0.78	(0.35)
724312	1/2	(12.7)	3 1/8	(79.38)	4 1/4	(107.95)	0.86	(0.39)
724362	1/2	(12.7)	3 5/8	(92.08)	4 3/4	(120.65)	0.96	(0.43)
724412	1/2	(12.7)	4 1/8	(104.78)	5 1/4	(133.35)	1.05	(0.47)
726025	3/4	(19.1)	1/4	(6.35)	1 7/8	(47.63)	0.48	(0.22)
726037	3/4	(19.1)	3/8	(9.53)	2	(50.80)	0.50	(0.23)
726050	3/4	(19.1)	1/2	(12.70)	2 1/8	(53.98)	0.41	(0.19)
726062	3/4	(19.1)	5/8	(15.88)	2 1/4	(57.15)	0.52	(0.23)
726075	3/4	(19.1)	3/4	(19.05)	2 3/8	(60.33)	0.45	(0.20)
726087	3/4	(19.1)	7/8	(22.23)	2 1/2	(63.50)	0.58	(0.27)
726112	3/4	(19.1)	1 1/8	(28.58)	2 3/4	(69.85)	0.63	(0.29)
726137	3/4	(19.1)	1 3/8	(34.93)	3	(76.20)	0.68	(0.31)
726162	3/4	(19.1)	1 5/8	(41.28)	3 1/4	(82.55)	0.73	(0.33)
726212	3/4	(19.1)	2 1/8	(53.98)	3 3/4	(95.25)	0.78	(0.35)
726262	3/4	(19.1)	2 5/8	(66.68)	4 1/4	(107.95)	0.86	(0.39)
726312	3/4	(19.1)	3 1/8	(79.38)	4 3/4	(120.65)	0.96	(0.43)
726362	3/4	(19.1)	3 5/8	(92.08)	5 1/4	(133.35)	1.05	(0.47)
726412	3/4	(19.1)	4 1/8	(104.78)	5 3/4	(146.05)	1.21	(0.55)

Fig. No.	Insulation Thickness "A"		O.D. "B"		C		Wt. Each	
							Lbs.	kg
728025	1	(25.4)	1/4	(6.35)	2 3/8	(60.33)		
728031	1	(25.4)	5/16	(7.94)	2 7/16	(61.91)	0.58	(0.27)
728037	1	(25.4)	3/8	(9.53)	2 1/2	(63.50)	0.58	(0.27)
728050	1	(25.4)	1/2	(12.70)	2 5/8	(66.68)	0.59	(0.27)
728062	1	(25.4)	5/8	(15.88)	2 3/4	(69.85)	0.63	(0.29)
728075	1	(25.4)	3/4	(19.05)	2 7/8	(73.03)	0.63	(0.29)
728087	1	(25.4)	7/8	(22.23)	3	(76.20)	0.68	(0.31)
728112	1	(25.4)	1 1/8	(28.58)	3 1/4	(82.55)	0.73	(0.33)
728137	1	(25.4)	1 3/8	(34.93)	3 1/2	(88.90)	0.76	(0.34)
728162	1	(25.4)	1 5/8	(41.28)	3 3/4	(95.25)	0.78	(0.35)
728212	1	(25.4)	2 1/8	(53.98)	4 1/4	(107.95)	0.86	(0.39)
728262	1	(25.4)	2 5/8	(66.68)	4 3/4	(120.65)	0.96	(0.43)
728312	1	(25.4)	3 1/8	(79.38)	5 1/4	(133.35)	1.05	(0.47)
728362	1	(25.4)	3 5/8	(92.08)	5 3/4	(146.05)	1.21	(0.55)
728412	1	(25.4)	4 1/8	(104.78)	6 1/4	(158.75)	1.23	(0.56)
729031	1 1/2	(38.1)	5/16	(7.94)	3 7/16	(87.31)	0.76	(0.34)
729037	1 1/2	(38.1)	3/8	(9.53)	3 1/2	(88.90)	0.76	(0.34)
729050	1 1/2	(38.1)	1/2	(12.70)	3 5/8	(92.08)	0.79	(0.36)
729062	1 1/2	(38.1)	5/8	(15.88)	3 3/4	(95.25)	0.78	(0.35)
729087	1 1/2	(38.1)	7/8	(22.23)	4	(101.60)	0.84	(0.38)
729112	1 1/2	(38.1)	1 1/8	(28.58)	4 1/4	(107.95)	0.86	(0.39)
729137	1 1/2	(38.1)	1 3/8	(34.93)	4 1/2	(114.30)	0.95	(0.43)
729162	1 1/2	(38.1)	1 5/8	(41.28)	4 3/4	(120.65)	0.96	(0.43)
729212	1 1/2	(38.1)	2 1/8	(53.98)	5 1/4	(133.35)	1.05	(0.47)
729262	1 1/2	(38.1)	2 5/8	(66.68)	5 3/4	(146.05)	1.09	(0.49)
729312	1 1/2	(38.1)	3 1/8	(79.38)	6 1/4	(158.75)	1.23	(0.56)

Unless otherwise specified, all dimensions on drawings and in charts are in inches and dimensions shown in parentheses are in millimeters.

CHANNEL
PIPE & CONDUIT SUPPORTS
STRUT NUTS & HARDWARE
CONCRETE INSERTS
END CAPS & CLOSURES
FLAT PLATE FITTINGS
90° ANGLE FITTINGS
ANGLE FITTINGS
"U" FITTINGS
"Z" FITTINGS
WING FITTINGS
SPECIALTY FITTINGS
TROLLEY ASSEMBLIES
POST BASES
BRACKETS & BRACE FITTINGS
BEAM CLAMPS
ROOFTOP SUPPORTS