

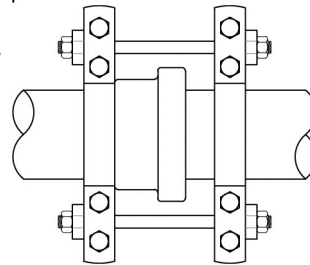
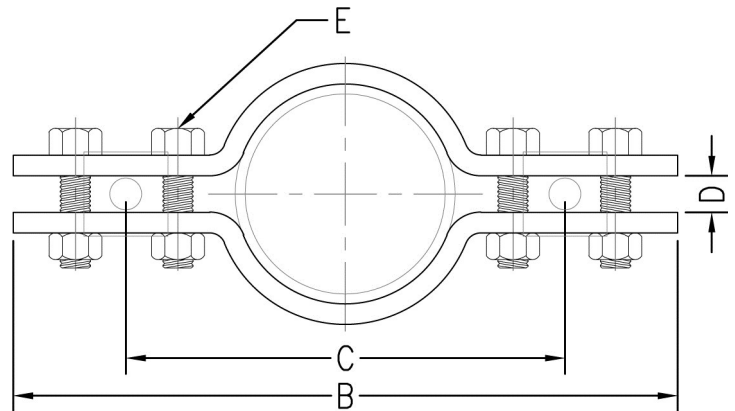
# PIPE CLAMPS



## FOUR BOLT UNDERGROUND PIPE CLAMP

**FIG. 590**

- Function:** Designed for clamping the caulked joints of underground A.W.W.A. ductile iron water pipe lines to prevent separation of joints.
- Material:** Carbon steel (Type 304 or 316 Stainless Steel upon request)
- Finish:** Plain or electro-galvanized (Hot dipped galvanized with electro-galvanized hardware upon request)
- Approvals:** Complies with National Fire Protection Association Standard 24 for 4" (100) thru 12" (300) pipe.
- Ordering:** Specify figure number, pipe size, material, and finish. Order Fig. 595 washer separately.



Typical Installation

*NOTE: Clamps must be connected by means of threaded tie rods and the nuts drawn tight on the washers to assure a tight joint.*

Pipe Size		Max. Pipe O.D.		B		C		D		Bolt Size E	Rec. Tie Rod Size	Max. Test Pressure		Force on Clamp		Wt. Each	
												PSI	kPa	lbs.	kN	lbs.	kg
4	(100)	4.80	(121.92)	14 <sup>5</sup> / <sub>8</sub>	(371.48)	9 <sup>5</sup> / <sub>8</sub>	(244.48)	1 <sup>1</sup> / <sub>4</sub>	(31.75)	5/8 x 3	3/4	250	(1722.5)	4550	(20.24)	12.8	(5.81)
6	(150)	6.90	(175.26)	16 <sup>7</sup> / <sub>8</sub>	(428.63)	11 <sup>7</sup> / <sub>8</sub>	(301.63)	1 <sup>1</sup> / <sub>4</sub>	(31.75)	5/8 x 3	3/4	250	(1722.5)	9340	(41.55)	14.6	(6.62)
8	(200)	9.05	(229.87)	19 <sup>1</sup> / <sub>8</sub>	(485.78)	14 <sup>1</sup> / <sub>8</sub>	(358.78)	1 <sup>1</sup> / <sub>4</sub>	(31.75)	5/8 x 3 <sup>1</sup> / <sub>2</sub>	3/4	250	(1722.5)	16080	(71.53)	23.6	(10.70)
10	(250)	11.10	(281.94)	21 <sup>3</sup> / <sub>8</sub>	(542.93)	16 <sup>5</sup> / <sub>8</sub>	(422.28)	1 <sup>1</sup> / <sub>4</sub>	(31.75)	3/4 x 3 <sup>1</sup> / <sub>2</sub>	1	250	(1722.5)	24180	(107.56)	29.3	(13.29)
12	(300)	13.20	(335.28)	25 <sup>1</sup> / <sub>8</sub>	(638.18)	19 <sup>5</sup> / <sub>8</sub>	(498.48)	1 <sup>1</sup> / <sub>4</sub>	(31.75)	7/8 x 4	1	250	(1722.5)	34230	(152.26)	40.3	(18.28)
14	(350)	15.30	(388.62)	28 <sup>1</sup> / <sub>4</sub>	(717.55)	22 <sup>3</sup> / <sub>8</sub>	(568.33)	1 <sup>3</sup> / <sub>4</sub>	(44.45)	7/8 x 4 <sup>1</sup> / <sub>2</sub>	1 <sup>1</sup> / <sub>4</sub>	120	(826.8)	22200	(98.75)	53.9	(24.45)
16	(400)	17.40	(441.96)	31 <sup>3</sup> / <sub>8</sub>	(796.93)	25 <sup>3</sup> / <sub>8</sub>	(644.53)	1 <sup>3</sup> / <sub>4</sub>	(44.45)	1 x 4 <sup>1</sup> / <sub>2</sub>	1 <sup>1</sup> / <sub>4</sub>	115	(792.3)	27760	(123.48)	76.5	(34.70)
18	(450)	19.50	(495.30)	35 <sup>1</sup> / <sub>8</sub>	(892.18)	28 <sup>1</sup> / <sub>8</sub>	(714.38)	1 <sup>3</sup> / <sub>4</sub>	(44.45)	1 <sup>1</sup> / <sub>4</sub> x 4 <sup>1</sup> / <sub>2</sub>	1 <sup>1</sup> / <sub>4</sub>	100	(689.0)	23900	(106.31)	94.3	(42.77)
20	(500)	21.60	(548.64)	37 <sup>3</sup> / <sub>4</sub>	(958.85)	30 <sup>1</sup> / <sub>2</sub>	(774.70)	1 <sup>3</sup> / <sub>4</sub>	(44.45)	1 <sup>1</sup> / <sub>4</sub> x 4 <sup>1</sup> / <sub>2</sub>	1 <sup>3</sup> / <sub>8</sub>	75	(516.7)	27500	(122.33)	109.8	(49.80)
24	(600)	25.80	(655.32)	44 <sup>1</sup> / <sub>4</sub>	(1123.95)	36	(914.40)	1 <sup>3</sup> / <sub>4</sub>	(44.45)	1 <sup>1</sup> / <sub>2</sub> x 5	1 <sup>1</sup> / <sub>2</sub>	50	(344.5)	26200	(116.54)	148.6	(67.40)

THREADED ACCESSORIES  
 CPVC STRAPS  
 BAND HANGERS  
 BEAM CLAMPS  
 CLEVIS HANGERS  
 PIPE ROLLER SUPPORTS  
 SPLIT RING HANGERS  
 PIPE CLAMPS  
 CENTER LOAD BEAM CLAMPS  
 PIPE SHIELDS, INSULATION, & SADDLES  
 PIPE GUIDES & SLIDES  
 WALL BRACKETS  
 PIPE SUPPORTS  
 STRUCTURAL ATTACHMENTS  
 SEISMIC BRACING