



www.phd-mfg.com

PIPE CLAMPS

FIG. 580

TWO BOLT UNDERGROUND PIPE CLAMP

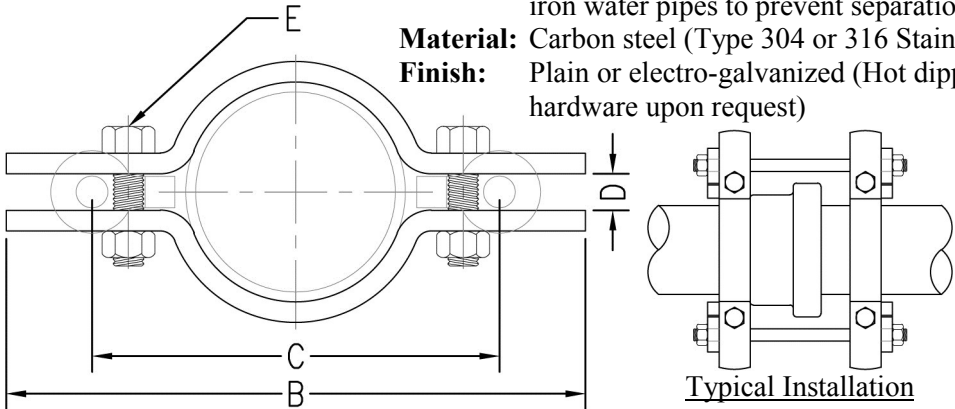
Function: Designed for clamping the caulked joints of underground A.W.W.A. ductile iron water pipes to prevent separation of joints.

Material: Carbon steel (Type 304 or 316 Stainless Steel upon request)

Finish: Plain or electro-galvanized (Hot dipped galvanized with electro-galvanized hardware upon request)

Ordering: Specify figure number, pipe size, material, and finish.
Order Fig. 585 washer separately.

NOTE: Clamps must be connected by means of threaded tie rods and the nuts drawn tight on the washers to assure a tight joint.



Pipe Size	Max. Pipe O.D.	B		C		D		Bolt Size E	Rec. Tie Rod Size	Wt. Each	
										lbs.	kg
3 (80)	3.96 (100.58)	11 ³ / ₄	(298.45)	9	(228.60)	1 ¹ / ₄	(31.75)	5/8 x 3	3/4	6.18	(2.80)
4 (100)	4.80 (121.92)	13	(330.20)	10 ¹ / ₄	(260.35)	1 ¹ / ₄	(31.75)	5/8 x 3	3/4	8.80	(3.99)
6 (150)	6.90 (175.26)	14 ⁷ / ₈	(377.83)	12	(304.80)	1 ¹ / ₄	(31.75)	5/8 x 3	3/4	10.50	(4.76)
8 (200)	9.05 (229.87)	17 ¹ / ₄	(438.15)	14 ¹ / ₂	(368.30)	1 ¹ / ₄	(31.75)	5/8 x 3	3/4	12.34	(5.60)
10 (250)	11.10 (281.94)	19 ¹ / ₂	(495.30)	16 ³ / ₄	(425.45)	1 ¹ / ₄	(31.75)	5/8 x 3	3/4	14.80	(6.71)
12 (300)	13.20 (335.28)	21 ³ / ₄	(552.45)	19	(482.60)	1 ¹ / ₄	(31.75)	5/8 x 3 ¹ / ₂	3/4	16.03	(7.27)
14 (350)	15.30 (388.62)	27 ⁷ / ₈	(708.03)	23 ³ / ₈	(593.73)	1 ³ / ₈	(34.93)	7/8 x 4	1	44.37	(20.13)
16 (400)	17.40 (441.96)	29 ¹ / ₈	(739.77)	25 ¹ / ₂	(647.70)	1 ¹ / ₂	(38.10)	1 x 4 ¹ / ₂	1 ¹ / ₈	64.74	(29.37)
18 (450)	19.50 (495.30)	32 ¹ / ₄	(819.15)	28	(711.20)	1 ¹ / ₂	(38.10)	1 ¹ / ₄ x 4 ¹ / ₂	1 ¹ / ₄	73.69	(33.43)
20 (500)	21.60 (548.64)	33 ¹ / ₄	(844.55)	29 ³ / ₄	(755.65)	1 ⁵ / ₈	(41.28)	1 ¹ / ₄ x 4 ¹ / ₂	1 ³ / ₈	86.00	(39.01)
24 (600)	25.80 (655.32)	37 ³ / ₄	(958.85)	34	(863.60)	1 ³ / ₄	(44.45)	1 ¹ / ₂ x 5	1 ¹ / ₂	113.00	(51.26)
30 (750)	32.00 (812.80)	45 ¹ / ₈	(1146.18)	41 ³ / ₈	(1050.93)	2	(50.80)	1 ¹ / ₂ x 5 ¹ / ₂	1 ³ / ₄	136.78	(62.04)
36 (900)	38.30 (972.82)	50 ³ / ₄	(1289.05)	46 ¹ / ₂	(1181.10)	2 ¹ / ₂	(63.50)	1 ¹ / ₂ x 5 ¹ / ₂	1 ³ / ₄	155.50	(70.53)

Unless otherwise specified, all dimensions on drawings and in charts are in inches and dimensions shown in parentheses are in millimeters.

THREADED ACCESSORIES
CPVC STRAPS
BAND HANGERS
BEAM CLAMPS
CLEVIS HANGERS
PIPE ROLLER SUPPORTS
SPLIT RING HANGERS
PIPE CLAMPS
CENTER LOAD BEAM CLAMPS
PIPE SHIELDS, INSULATION, & SADDLES
PIPE GUIDES & SLIDES
WALL BRACKETS
PIPE SUPPORTS
STRUCTURAL ATTACHMENTS
SEISMIC BRACING