

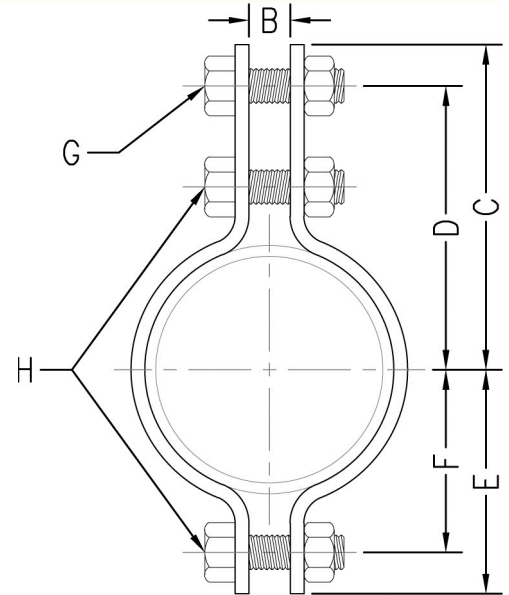
PIPE CLAMPS



DOUBLE BOLT PIPE CLAMP

FIG. 525

- Function:** Designed for the suspension of high temperature insulated pipe lines. Normally used in conjunction with Fig. 35 weldless eye nut or Fig. 55 welded eye rod to allow flexibility at the rod attachment. The clamp can be used with up to 4 inches (101.6mm) of insulation and temperatures up to 750° F (399° C).
- Material:** Carbon steel (Type 304 or 316 Stainless Steel upon request)
- Finish:** Plain or electro-galvanized (Hot dipped galvanized with electro-galvanized hardware upon request)
- Approvals:** Complies with Federal Specification A-A-1192A (Type 3) and Manufacturers' Standardization Society ANSI/MSS SP-58 (Type 3) which supersedes ANSI/MSS SP-69.
- Ordering:** Specify figure number, pipe size, material, and finish.



Pipe Size	B	C	D	E	F	Bolt Size		Max. Rec. Load				Wt. Each	
						G	H	650°F (343°C)		750°F (399°C)		lbs.	kg
								lbs.	kN	lbs.	kN		
3/4	(20)	5/8 (15.88)	3 7/16 (87.31)	2 13/16 (71.44)	1 3/8 (34.93)	3/8	3/8	950	(4.23)	850	(3.78)	.83	(.38)
1	(25)	5/8 (15.88)	3 1/2 (88.90)	2 7/8 (73.03)	1 3/8 (34.93)	3/8	3/8	950	(4.23)	850	(3.78)	1.02	(.46)
1 1/4	(32)	5/8 (15.88)	3 9/16 (90.49)	2 15/16 (74.61)	2 1/16 (52.39)	3/8	3/8	950	(4.23)	850	(3.78)	1.07	(.49)
1 1/2	(40)	1 (25.40)	5 1/4 (133.35)	4 5/8 (117.48)	2 5/8 (66.68)	5/8	1/2	1545	(6.87)	1380	(6.14)	2.30	(1.04)
2	(50)	1 (25.40)	5 3/8 (136.53)	4 3/4 (120.65)	2 3/4 (69.85)	5/8	1/2	1545	(6.87)	1380	(6.14)	2.60	(1.18)
2 1/2	(65)	1 (25.40)	5 11/16 (144.46)	5 1/16 (128.59)	3 1/16 (77.79)	5/8	1/2	1545	(6.87)	1380	(6.14)	2.71	(1.23)
3	(80)	1 (25.40)	6 (152.40)	5 3/8 (136.53)	3 3/8 (85.73)	5/8	1/2	1545	(6.87)	1380	(6.14)	3.03	(1.37)
3 1/2	(90)	1 (25.40)	6 5/16 (160.34)	5 11/16 (144.46)	3 11/16 (93.66)	5/8	1/2	1545	(6.87)	1380	(6.14)	3.28	(1.49)
4	(100)	1 (25.40)	8 1/16 (204.79)	7 1/16 (179.39)	5 1/16 (128.59)	3/4	5/8	2500	(11.12)	2230	(9.92)	6.67	(3.03)
5	(125)	1 (25.40)	8 5/8 (219.08)	7 5/8 (193.68)	5 5/8 (142.88)	3/4	5/8	2500	(11.12)	2230	(9.92)	7.05	(3.20)
6	(150)	1 1/2 (38.10)	9 7/8 (250.83)	8 5/8 (219.08)	6 3/8 (161.93)	7/8	3/4	2865	(12.74)	2555	(11.37)	11.45	(5.19)
8	(200)	1 1/2 (38.10)	11 1/8 (282.58)	9 7/8 (250.83)	7 5/8 (193.68)	7/8	3/4	2865	(12.74)	2555	(11.37)	13.15	(5.96)
10	(250)	1 1/2 (38.10)	12 3/8 (314.33)	11 1/8 (282.58)	8 7/8 (225.43)	1	7/8	3240	(14.41)	2890	(12.86)	19.80	(8.98)
12	(300)	1 1/2 (38.10)	13 3/4 (349.25)	12 1/2 (317.50)	10 1/4 (260.35)	1	7/8	3240	(14.41)	2890	(12.86)	22.25	(10.09)
14	(350)	1 1/2 (38.10)	15 1/16 (382.59)	13 9/16 (344.49)	11 7/16 (290.51)	1 1/4	7/8	4300	(19.13)	3835	(17.06)	37.68	(17.09)
16	(400)	1 1/2 (38.10)	15 13/16 (401.64)	14 5/16 (363.54)	12 3/16 (309.56)	1 1/4	7/8	4300	(19.13)	3835	(17.06)	41.40	(18.78)
18	(450)	1 1/2 (38.10)	16 11/16 (423.86)	15 7/16 (392.11)	13 5/16 (338.14)	1 1/4	1	4300	(19.13)	3835	(17.06)	44.87	(20.35)
20	(500)	2 (50.80)	18 (457.20)	16 1/2 (419.10)	14 1/2 (368.30)	1 3/8	1 1/8	4500	(20.02)	4015	(17.86)	57.25	(25.97)
24	(600)	2 (50.80)	20 1/4 (514.35)	18 3/4 (476.25)	16 3/4 (425.45)	1 3/8	1 1/4	5490	(24.42)	4900	(21.80)	65.90	(29.89)

Unless otherwise specified, all dimensions on drawings and in charts are in inches and dimensions shown in parentheses are in millimeters.

THREADED ACCESSORIES
CPVC STRAPS
BAND HANGERS
BEAM CLAMPS
CLEVIS HANGERS
PIPE ROLLER SUPPORTS
SPLIT RING HANGERS
PIPE CLAMPS
CENTER LOAD BEAM CLAMPS
PIPE SHIELDS, INSULATION, & SADDLES
PIPE GUIDES & SLIDES
WALL BRACKETS
PIPE SUPPORTS
STRUCTURAL ATTACHMENTS
SEISMIC BRACING