

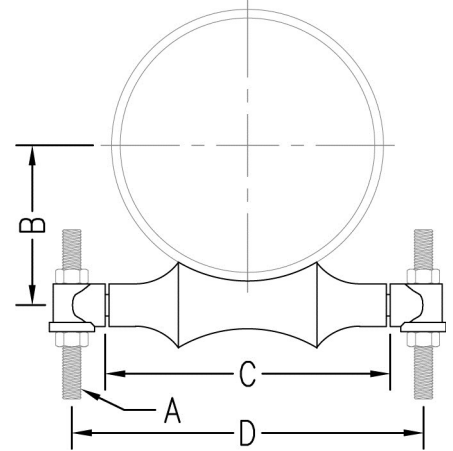
PIPE ROLLER SUPPORTS



PIPE ROLLER WITH SOCKETS

FIG. 490

- Function:** Designed to support pipe in applications where horizontal movement, due to expansion and contraction, will occur.
- Sizing:** Pipe roller size shown is for bare pipe. For proper sizing with insulation, refer to pipe roller selection guide, which is for use with pipe covering protection saddles.
- Material:** Cast iron pipe roller and sockets with carbon steel axle.
- Finish:** Plain or electro-galvanized (Hot dipped galvanized with electro-galvanized hardware upon request)
- Approvals:** Complies with Federal Specification A-A-1192A (Type 41) and Manufacturers' Standardization Society ANSI/MSS SP-58 (Type 41) which supersedes ANSI/MSS SP-69.
- Ordering:** Specify figure number, pipe roller size, and finish.



Pipe Roller Size		Rod Size A	B		C		D		Max. Rec. Load		Wt. Each	
									lbs.	kN	lbs.	kg
2	(50)	3/8	1 5/8	(41.28)	2 7/8	(73.03)	4 1/2	(114.30)	600	(2.67)	.57	(.26)
2 1/2	(65)	1/2	2	(50.80)	3 1/8	(79.38)	5 1/16	(128.59)	660	(2.94)	.98	(.44)
3	(80)	1/2	2 1/4	(57.15)	3 3/4	(95.25)	5 9/16	(141.29)	700	(3.11)	1.10	(.50)
3 1/2	(90)	1/2	2 5/8	(66.68)	4 1/4	(107.95)	6 1/16	(153.99)	750	(3.34)	1.36	(.62)
4	(100)	5/8	2 3/4	(69.85)	4 3/4	(120.65)	6 3/4	(171.45)	750	(3.34)	1.62	(.73)
5	(125)	5/8	3 1/2	(88.90)	5 3/4	(146.05)	8 3/8	(212.73)	750	(3.34)	2.60	(1.18)
6	(150)	3/4	4	(101.60)	6 7/8	(174.63)	9 7/8	(250.83)	1070	(4.76)	4.42	(2.00)
8	(200)	7/8	5 1/8	(130.18)	8 7/8	(225.43)	12	(304.80)	1350	(6.01)	7.20	(3.27)
10	(250)	7/8	6 3/8	(161.93)	11	(279.40)	14	(355.60)	1730	(7.70)	9.50	(4.31)
12	(300)	7/8	7 1/2	(190.50)	13	(330.20)	16 1/2	(419.10)	2400	(10.68)	16.00	(7.26)
14	(350)	1	8 3/8	(212.73)	14 3/8	(365.13)	17 3/4	(450.85)	3130	(13.92)	24.20	(10.98)
16	(400)	1	9 1/2	(241.30)	16 3/8	(415.93)	20 3/4	(527.05)	3970	(17.66)	31.80	(14.42)
18	(450)	1	10 1/2	(266.70)	18 3/8	(466.73)	22 3/8	(568.33)	4200	(18.68)	35.15	(15.94)
20	(500)	1 1/4	11 5/8	(295.28)	20 3/8	(517.53)	24 1/2	(622.30)	4550	(20.24)	47.00	(21.32)
24	(600)	1 1/2	14	(355.60)	24 3/8	(619.13)	28 13/16	(731.84)	6160	(27.40)	76.20	(34.56)
30	(750)	1 1/2	17 1/2	(444.50)	30 3/8	(771.53)	35	(889.00)	7290	(32.43)	130.00	(58.97)

"B" (Center of axle to center of pipe)

THREADED ACCESSORIES
 CPVC STRAPS
 BAND HANGERS
 BEAM CLAMPS
 CLEVIS HANGERS
 PIPE ROLLER SUPPORTS
 SPLIT RING HANGERS
 PIPE CLAMPS
 CENTER LOAD BEAM CLAMPS
 PIPE SHIELDS, INSULATION, & SADDLES
 PIPE GUIDES & SLIDES
 WALL BRACKETS
 PIPE SUPPORTS
 STRUCTURAL ATTACHMENTS
 SEISMIC BRACING