

PIPE ROLLER SUPPORTS



ADJUSTABLE PIPE ROLLER SUPPORT

FIG. 480 & 480D

Function: Designed to support pipe in applications where horizontal movement, due to expansion and contraction, will occur and a vertical adjustment of up to 6" (152.4) may be required. Fig. 480D is designed for supporting and guiding pipe where longitudinal movement and vertical adjustment are required.

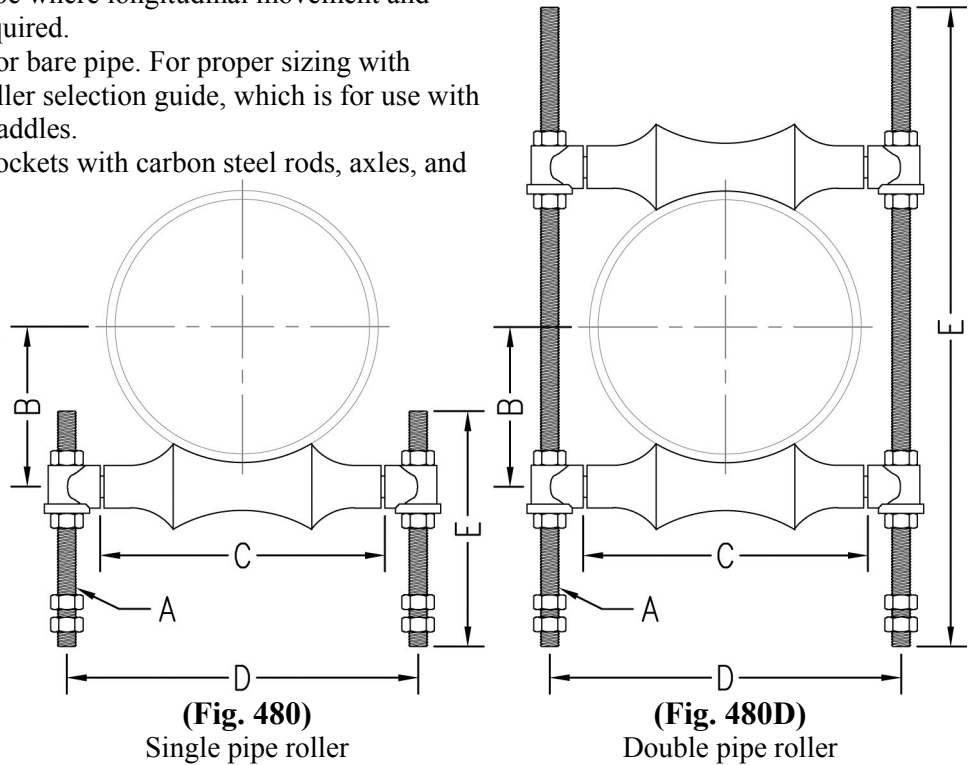
Sizing: Pipe roller size shown is for bare pipe. For proper sizing with insulation, refer to pipe roller selection guide, which is for use with pipe covering protection saddles.

Material: Cast iron pipe roller and sockets with carbon steel rods, axles, and hex nuts.

Finish: Plain or electro-galvanized (Hot dipped galvanized with electro-galvanized hardware upon request)

Approvals: Fig. 480 only, complies with Federal Specification A-A-1192A (Type 41) and Manufacturers' Standardization Society ANSI/MSS SP-58 (Type 41) which supersedes ANSI/MSS SP-69.

Ordering: Specify figure number, pipe roller size, and finish. Shipped with rods and nuts unassembled.



(Fig. 480)
Single pipe roller

(Fig. 480D)
Double pipe roller

Pipe Roller Size	Rod Size A	B	C	D	E		Max. Rec. Load		Wt. Each									
					480	480D	lbs.	kN	480		480D							
									lbs.	kg	lbs.	kg						
2	(50)	3/8	1 5/8	(41.28)	2 7/8	(73.03)	4 1/2	(114.30)	7 1/4	(184.15)	12	(304.8)	600	(2.67)	1.25	(.57)	3.26	(1.48)
2 1/2	(65)	1/2	2	(50.80)	3 1/8	(79.38)	5 1/16	(128.59)	8	(203.20)	14	(355.6)	600	(2.67)	2.25	(1.02)	4.65	(2.11)
3	(80)	1/2	2 1/4	(57.15)	3 3/4	(95.25)	5 9/16	(141.29)	8	(203.20)	14	(355.6)	700	(3.11)	2.36	(1.07)	5.01	(2.27)
3 1/2	(90)	1/2	2 5/8	(66.68)	4 1/4	(107.95)	6 1/16	(153.99)	8	(203.20)	14	(355.6)	750	(3.34)	2.60	(1.18)	5.25	(2.38)
4	(100)	5/8	2 3/4	(69.85)	4 3/4	(120.65)	6 3/4	(171.45)	9	(228.60)	18	(457.2)	750	(3.34)	3.65	(1.66)	7.57	(3.43)
5	(125)	5/8	3 1/2	(88.90)	5 3/4	(146.05)	8 3/8	(212.73)	9	(228.60)	18	(457.2)	750	(3.34)	4.59	(2.08)	8.72	(3.96)
6	(150)	3/4	4	(101.60)	6 7/8	(174.63)	9 7/8	(250.83)	10	(254.00)	24	(609.6)	1070	(4.76)	7.50	(3.40)	16.87	(7.65)
8	(200)	7/8	5 1/8	(130.18)	8 7/8	(225.43)	12	(304.80)	10	(254.00)	24	(609.6)	1350	(6.01)	11.00	(4.99)	22.77	(10.33)
10	(250)	7/8	6 3/8	(161.93)	11	(279.40)	14	(355.60)	11	(279.40)	30	(762.0)	1730	(7.70)	13.68	(6.21)	28.30	(12.84)
12	(300)	7/8	7 1/2	(190.50)	13	(330.20)	16 1/2	(419.10)	11	(279.40)	30	(762.0)	2400	(10.68)	19.30	(8.75)	38.17	(17.31)
14	(350)	1	8 3/8	(212.73)	14 3/8	(365.13)	17 3/4	(450.85)	12	(304.80)	36	(914.4)	3130	(13.92)	31.20	(14.15)	64.13	(29.09)
16	(400)	1	9 1/2	(241.30)	16 3/8	(415.93)	20 3/4	(527.05)	18	(457.20)	--	--	3970	(17.66)	42.40	(19.23)	--	--
18	(450)	1	10 1/2	(266.70)	18 3/8	(466.73)	22 3/8	(568.33)	18	(457.20)	--	--	4200	(18.68)	46.55	(21.11)	--	--
20	(500)	1 1/4	11 5/8	(295.28)	20 3/8	(517.53)	24 1/2	(622.30)	18	(457.20)	--	--	4550	(20.24)	66.00	(29.94)	--	--
24	(600)	1 1/2	14	(355.60)	24 3/8	(619.13)	28 13/16	(731.84)	24	(609.60)	--	--	6160	(27.40)	102.50	(46.49)	--	--
30	(750)	1 1/2	17 1/2	(444.50)	30 3/8	(771.53)	35	(889.00)	24	(609.60)	--	--	7290	(32.43)	186.80	(84.73)	--	--

"B" (Center of axle to center of pipe)

Unless otherwise specified, all dimensions on drawings and in charts are in inches and dimensions shown in parentheses are in millimeters.

THREADED ACCESSORIES
CPVC STRAPS
BAND HANGERS
BEAM CLAMPS
CLEVIS HANGERS
PIPE ROLLER SUPPORTS
SPLIT RING HANGERS
PIPE CLAMPS
CENTER LOAD BEAM CLAMPS
PIPE SHIELDS, INSULATION, & SADDLES
PIPE GUIDES & SLIDES
WALL BRACKETS
PIPE SUPPORTS
STRUCTURAL ATTACHMENTS
SEISMIC BRACING