

INSULATION



SNAPPITZ SELF-LOCKING INSULATION

FIG. 165 & 166

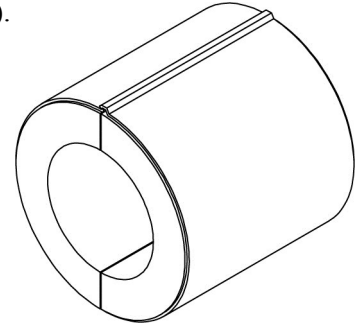
Function: Designed for the insulation of iron pipe (Fig. 165) or copper tube (Fig. 166). The one piece self-locking design allows for easier and faster installation and eliminates the need for a separate shield.

Material: PVC plastic shield with polyisocyanurate or phenolic foam insulation.

Approvals: ASTM-E84-05 and tested by Intertek. Smoke & flame tested 5-30.

Ordering: Specify figure number, pipe or tube size, and insulation thickness.

NOTE: Other sizes available upon request.



Iron Pipe Size		Insulation Thickness		Length		Wt. Each	
						lbs.	kg
1/2	(15)	1/2	(12.7)	4	(101.6)	0.078	(.04)
1/2	(15)	1	(25.4)	4	(101.6)	0.143	(.06)
1/2	(15)	1 1/2	(38.1)	4	(101.6)	0.200	(.09)
1/2	(15)	2	(50.8)	4	(101.6)	0.263	(.12)
1/2	(15)	2 1/2	(63.5)	4	(101.6)	0.263	(.12)
1/2	(15)	3	(76.2)	4	(101.6)	0.333	(.15)
3/4	(20)	1/2	(12.7)	4	(101.6)	0.097	(.04)
3/4	(20)	1	(25.4)	4	(101.6)	0.143	(.06)
3/4	(20)	1 1/2	(38.1)	4	(101.6)	0.171	(.08)
3/4	(20)	2	(50.8)	4	(101.6)	0.228	(.10)
3/4	(20)	2 1/2	(63.5)	4	(101.6)	0.228	(.10)
3/4	(20)	3	(76.2)	4	(101.6)	0.346	(.16)
1	(25)	1/2	(12.7)	4	(101.6)	0.109	(.05)
1	(25)	1	(25.4)	4	(101.6)	0.149	(.07)
1	(25)	1 1/2	(38.1)	4	(101.6)	0.253	(.11)
1	(25)	2	(50.8)	4	(101.6)	0.211	(.10)
1	(25)	2 1/2	(63.5)	4	(101.6)	0.320	(.15)
1	(25)	3	(76.2)	4	(101.6)	0.320	(.15)
1 1/4	(32)	1/2	(12.7)	4	(101.6)	0.143	(.06)
1 1/4	(32)	1	(25.4)	4	(101.6)	0.149	(.07)
1 1/4	(32)	1 1/2	(38.1)	4	(101.6)	0.292	(.13)
1 1/4	(32)	2	(50.8)	4	(101.6)	0.263	(.12)
1 1/4	(32)	2 1/2	(63.5)	4	(101.6)	0.346	(.16)
1 1/2	(40)	1/2	(12.7)	4	(101.6)	0.143	(.06)
1 1/2	(40)	1	(25.4)	4	(101.6)	0.200	(.09)
1 1/2	(40)	1 1/2	(38.1)	4	(101.6)	0.264	(.12)
1 1/2	(40)	2	(50.8)	4	(101.6)	0.417	(.19)
1 1/2	(40)	2 1/2	(63.5)	4	(101.6)	0.347	(.16)
2	(50)	1/2	(12.7)	4	(101.6)	0.229	(.10)
2	(50)	1	(25.4)	4	(101.6)	0.500	(.23)
2	(50)	1 1/2	(38.1)	4	(101.6)	0.526	(.24)
2	(50)	2	(50.8)	4	(101.6)	0.417	(.19)
2	(50)	2 1/2	(63.5)	4	(101.6)	0.347	(.16)
2 1/2	(65)	1/2	(12.7)	4	(101.6)	0.329	(.15)
2 1/2	(65)	1	(25.4)	4	(101.6)	0.429	(.19)
2 1/2	(65)	1 1/2	(38.1)	4	(101.6)	0.469	(.21)
2 1/2	(65)	2	(50.8)	4	(101.6)	0.600	(.27)
3	(80)	1/2	(12.7)	6	(152.4)	0.750	(.34)
3	(80)	1	(25.4)	6	(152.4)	0.750	(.34)
3	(80)	1 1/2	(38.1)	6	(152.4)	1.250	(.57)
3	(80)	2	(50.8)	6	(152.4)	1.300	(.59)
3 1/2	(90)	1	(25.4)	6	(152.4)	0.417	(.19)
3 1/2	(90)	1 1/2	(38.1)	6	(152.4)	0.417	(.19)
4	(100)	1/2	(12.7)	6	(152.4)	1.250	(.57)
4	(100)	1	(25.4)	6	(152.4)	1.250	(.57)
4	(100)	1 1/2	(38.1)	6	(152.4)	1.364	(.62)
5	(125)	1/2	(12.7)	6	(152.4)	0.416	(.19)
5	(125)	1	(25.4)	6	(152.4)	0.416	(.19)
6	(150)	1/2	(12.7)	6	(152.4)	0.500	(.23)

Coper Tube Size		Insulation Thickness		Length		Wt. Each	
						lbs.	kg
1/2	(15)	1/2	(12.7)	4	(101.6)	0.153	(.07)
1/2	(15)	1	(25.4)	4	(101.6)	0.153	(.07)
1/2	(15)	1 1/2	(38.1)	4	(101.6)	0.273	(.12)
1/2	(15)	2	(50.8)	4	(101.6)	0.293	(.13)
1/2	(15)	2 1/2	(63.5)	4	(101.6)	0.320	(.15)
1/2	(15)	3	(76.2)	4	(101.6)	0.400	(.18)
3/4	(20)	1/2	(12.7)	4	(101.6)	0.143	(.06)
3/4	(20)	1	(25.4)	4	(101.6)	0.153	(.07)
3/4	(20)	1 1/2	(38.1)	4	(101.6)	0.238	(.11)
3/4	(20)	2	(50.8)	4	(101.6)	0.248	(.11)
3/4	(20)	2 1/2	(63.5)	4	(101.6)	0.416	(.19)
3/4	(20)	3	(76.2)	4	(101.6)	0.480	(.22)
1	(25)	1/2	(12.7)	4	(101.6)	0.143	(.06)
1	(25)	1	(25.4)	4	(101.6)	0.153	(.07)
1	(25)	1 1/2	(38.1)	4	(101.6)	0.285	(.13)
1	(25)	2	(50.8)	4	(101.6)	0.295	(.13)
1	(25)	2 1/2	(63.5)	4	(101.6)	0.400	(.18)
1	(25)	3	(76.2)	4	(101.6)	0.480	(.22)
1 1/4	(32)	1/2	(12.7)	4	(101.6)	0.190	(.09)
1 1/4	(32)	1	(25.4)	4	(101.6)	0.208	(.09)
1 1/4	(32)	1 1/2	(38.1)	4	(101.6)	0.300	(.14)
1 1/4	(32)	2	(50.8)	4	(101.6)	0.310	(.14)
1 1/4	(32)	2 1/2	(63.5)	4	(101.6)	0.400	(.18)
1 1/4	(32)	3	(76.2)	4	(101.6)	0.480	(.22)
1 1/2	(40)	1/2	(12.7)	4	(101.6)	0.213	(.10)
1 1/2	(40)	1	(25.4)	4	(101.6)	0.213	(.10)
1 1/2	(40)	1 1/2	(38.1)	4	(101.6)	0.417	(.19)
1 1/2	(40)	2	(50.8)	4	(101.6)	0.420	(.19)
1 1/2	(40)	2 1/2	(63.5)	4	(101.6)	0.400	(.18)
2	(50)	1/2	(12.7)	4	(101.6)	0.286	(.13)
2	(50)	1	(25.4)	4	(101.6)	0.286	(.13)
2	(50)	1 1/2	(38.1)	4	(101.6)	0.417	(.19)
2	(50)	2	(50.8)	4	(101.6)	0.427	(.19)
2	(50)	2 1/2	(63.5)	4	(101.6)	0.300	(.14)
2 1/2	(65)	1/2	(12.7)	4	(101.6)	0.449	(.20)
2 1/2	(65)	1	(25.4)	4	(101.6)	1.100	(.50)
2 1/2	(65)	1 1/2	(38.1)	4	(101.6)	0.469	(.21)
2 1/2	(65)	2	(50.8)	4	(101.6)	0.469	(.21)
2 1/2	(65)	2 1/2	(63.5)	4	(101.6)	0.200	(.09)
3	(80)	1/2	(12.7)	6	(152.4)	0.156	(.07)
3	(80)	1	(25.4)	6	(152.4)	0.313	(.14)
3	(80)	1 1/2	(38.1)	6	(152.4)	0.429	(.19)
3	(80)	2	(50.8)	6	(152.4)	0.416	(.19)
4	(100)	1	(25.4)	6	(152.4)	0.571	(.26)
4	(100)	1 1/2	(38.1)	6	(152.4)	0.682	(.31)

Unless otherwise specified, all dimensions on drawings and in charts are in inches and dimensions shown in parentheses are in millimeters.

THREADED ACCESSORIES
CPVC STRAPS
BAND HANGERS
BEAM CLAMPS
CLEVIS HANGERS
PIPE ROLLER SUPPORTS
SPLIT RING HANGERS
PIPE CLAMPS
PIPE CLAMPS
CENTER LOAD BEAM CLAMPS
PIPE SHIELDS, INSULATION, & SADDLES
PIPE GUIDES & SLIDES
WALL BRACKETS
PIPE SUPPORTS
STRUCTURAL ATTACHMENTS
SEISMIC BRACING