

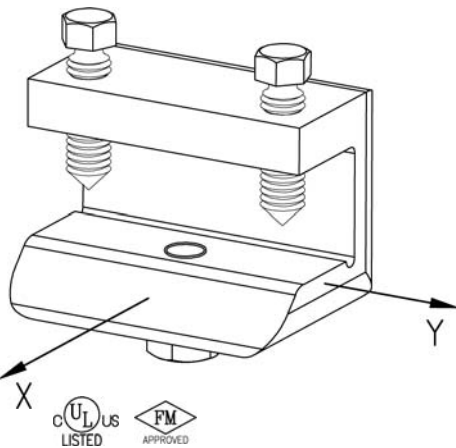


www.phd-mfg.com

SEISMIC BRACING

FIG. 045

SWAY BRACE STRUCTURAL ADAPTER



Function: Sway brace adapter used to attach a PHD Manufacturing sway brace assembly to a steel structural member of $\frac{3}{8}$ " minimum and $1\frac{1}{4}$ " maximum thickness. To provide a point of connection when drilling or welding is not allowed or not practical. Sway brace assemblies are intended to be installed in accordance with NFPA 13 and the manufacturer's installation instructions.

Size: Braces up to 8" Pipe MAX. Attaches to $\frac{3}{8}$ " MINIMUM and $1\frac{1}{4}$ " MAX thick structural members. When attaching to a structure less than $\frac{3}{8}$ " thick, please see PHD Manufacturing Fig. 035.

Material: Ductile iron

Finish: Electro-galvanized

Install: Place on structural member with the flange contacting the back of the jaw. Tighten set screws finger tight, then evenly tighten until hex heads break off. Attach PHD structural attachment to Fig. 045 with the supplied attachment bolt, ensuring that the attachment bolt head bottoms out securely. Please note that the maximum load will be limited by the PHD Manufacturing structural attachment utilized with this adapter.

Approvals: Underwriters Laboratories listed for US and Canada and Factory Mutual approved. Listed for use with NFPA fastener tables and PHD sway brace components only.

Ordering: Specify figure number.

UL Maximum Design Load					
Pipe Size		lbs.	kN	Wt. Each	
				lbs.	kg
8" MAX	(200)	2015	(8.96)	3.49	(1.58)

FM Maximum Design Load					
Beam Flange Thickness	Brace Angle From Vertical (Degrees)	X		Y	
		lbs.	kN	lbs.	kN
$\frac{3}{8}$ " MIN - $1\frac{1}{4}$ " MAX	30°-44°	1150	(5.11)	900	(4.00)
	45°-59°	1800	(8.00)	1050	(4.67)
	60°-74°	2230	(9.91)	1260	(5.60)
	75°-90°	2460	(10.94)	1410	(6.27)

THREADED ACCESSORIES
CPVC STRAPS
BAND HANGERS
BEAM CLAMPS
CLEVIS HANGERS
PIPE ROLLER SUPPORTS
SPLIT RING HANGERS
PIPE CLAMPS
CENTER LOAD BEAM CLAMPS
PIPE SHIELDS, INSULATION, & SADDLES
PIPE GUIDES & SLIDES
WALL BRACKETS
PIPE SUPPORTS
STRUCTURAL ATTACHMENTS
SEISMIC BRACING



PHD Manufacturing, Inc.

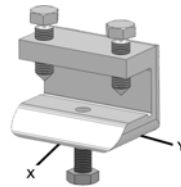
44018 Columbiana-Waterford Road
 Columbiana, Ohio 44408-9481
 Phone: 800-321-2736 • 330-482-9256
 Fax: 330-482-2763
 Web: www.phd-mfg.com

FIG. 045 SWAY BRACE STRUCTURAL ADAPTER

- Pipe Braced:** 8" Pipe MAX
- Function:** Sway brace adapter used to attach a PHD Manufacturing sway brace assembly to a steel structural member of 3/8" minimum and 1 1/4" maximum thickness. To provide a point of connection when drilling or welding is not allowed or not practical. Sway brace assemblies are intended to be installed in accordance with NFPA 13 and the manufacturer's installation instructions.
- Approvals:** Underwriters Laboratories listed for US and Canada
 Factory Mutual approved
 Listed for use with NFPA fastener tables and PHD sway brace components only
- Material:** Ductile Iron
- Installation:** Place on structural member with the flange contacting the back of the jaw. Tighten set screws finger tight, then evenly tighten until hex heads break off. Attach PHD structural attachment to Fig. 045 with the supplied attachment bolt, ensuring that the attachment bolt head bottoms out securely. Please note that the maximum load will be limited by the PHD Manufacturing structural attachment utilized with this adapter.

UL Maximum Design Load	
Pipe Size	lbs.
8" MAX	2015

FM Maximum Design Load			
Beam Flange Thickness	Brace Angle From Vertical (Degrees)	X	Y
		lbs.	lbs.
3/8" Min. 1 1/4" Max.	30°-44°	1150	900
	45°-59°	1800	1050
	60°-74°	2230	1260
	75°-90°	2460	1410



The Complete Line of Pipe Supports and Devices
 Pipe Hangers ▲ Strut & Accessories ▲ Pipe Clamps ▲ Beam Clamps ▲ Shields