

SEISMIC BRACING



MULTI-FASTENER ADAPTER

FIG. 025

Function: Designed for bracing pipe against sway and seismic disturbances. Sway brace adapter used to develop a greater structural connection by providing multiple fastener attachment points. Adapter allows for 2 or 3 NFPA 13 approved fasteners to be used when one fastener is too weak to anchor a sway brace assembly to a structure. Sway brace assemblies are intended to be installed in accordance with NFPA 13 and the manufacturer's installation instructions.

Size: 1/2" or 3/4" mounting holes. Braces up to 8" Pipe MAX

Material: Carbon steel, 2" X 2" X 1/4" angle

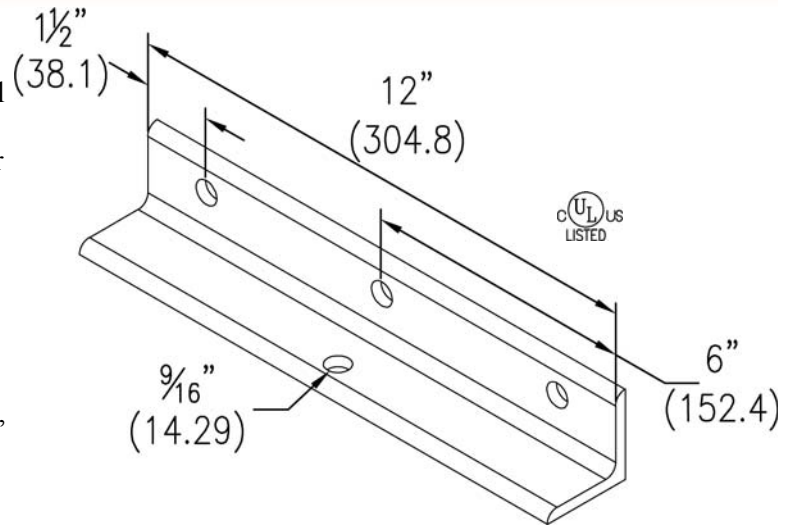
Finish: Electro-galvanized

Install: Attach to the structural surface as noted in NFPA13 fastener tables. Please note that the two outermost bolt holes must be used and the middle bolt hole should be used only in conjunction with both outermost bolt holes to ensure concentric loading. Attach a PHD Manufacturing structural attachment fitting to PHD Fig. 025 and follow the instructions provided with said fitting. The PHD structural attachment fitting can pivot around the mounting connection for adjustment to the desired brace angle. Please note that the maximum load will be limited by the PHD Manufacturing structural attachment utilized with this adapter.

Approvals: Underwriters Laboratories listed for US and Canada. Listed for use with NFPA fastener tables and PHD sway brace components only.

Ordering: Specify figure number and fastener size.

NOTE: All connecting fasteners are sold separately.



UL Maximum Design Load (8" Pipe Max)				
Fastener Size	lbs.	kN	Wt. Each	
			lbs.	kg
1/2	2015	(8.96)	3.19	(1.45)
3/4	2015	(8.96)	3.19	(1.45)



PHD Manufacturing, Inc.

44018 Columbiana-Waterford Road
Columbiana, Ohio 44408-9481
Phone: 800-321-2736 • 330-482-9256
Fax: 330-482-2763
Web: www.phd-mfg.com

FIG. 025 SWAY BRACE MULTI-FASTENER ADAPTER

Bolt Hole Size: 1/2" Or 3/4"

Pipe Braced: 8" Max (Maximum load of 2015 lbs.)

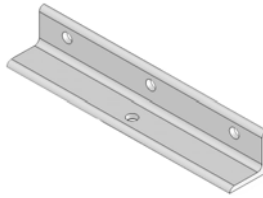
Please note that the maximum load will be limited by the PHD Manufacturing structural attachment utilized with this adapter

Function: Sway brace adapter designed to provide greater load capacities by providing multiple fastener attachments. The required type, number and size of fasteners used for the sway brace adapter shall be in accordance with NFPA 13. Sway brace assemblies are intended to be installed in accordance with NFPA 13 and the manufacturer's installation instructions.

Approvals: Underwriters Laboratories listed for US and Canada

Material: Low Carbon Steel

Installation: Attach Fig. 025 to mounting surface using appropriate fasteners. Please note that the two outermost bolt holes must be used and the middle bolt hole should be used only in conjunction with both outermost bolt holes to ensure concentric loading. Then attach a PHD structural attachment fitting to Fig. 025 and follow the instructions provided with said fitting. For use in both lateral and longitudinal brace assembly.



The Complete Line of Pipe Supports and Devices

Pipe Hangers ▲ Strut & Accessories ▲ Pipe Clamps ▲ Beam Clamps ▲ Shields