

"U" FITTINGS



5501 3-Hole "U" Support

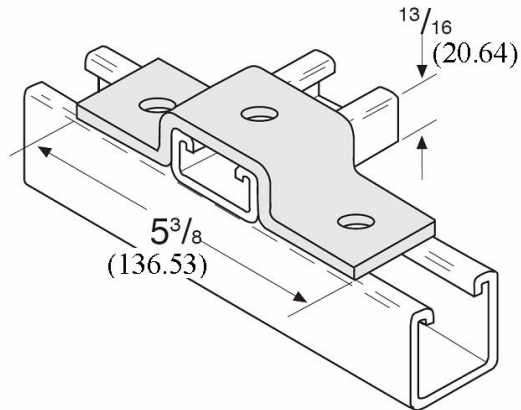


Fig. Number	Std. Package	Wt. Each	
		lbs.	kg
5501	25	.66	(.30)

MATERIAL: 1/4 X 1 5/8 (6.35 X 41.28)

FINISH: Electro-galvanized

ORDERING: Specify figure number.

HOLE DIM: 9/16 (14.29) dia. • 1 3/16 (20.64) from end

5503 5-Hole "U" Support

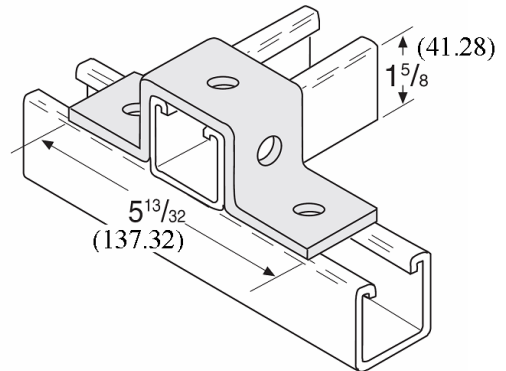


Fig. Number	Std. Package	Wt. Each	
		lbs.	kg
5503	25	.85	(.39)

Available in stainless steel. To order, specify 304 or 316 and add suffix SS to fig. number. Price on request.

MATERIAL: 1/4 X 1 5/8 (6.35 X 41.28)

FINISH: Electro-galvanized

ORDERING: Specify figure number.

HOLE DIM: 9/16 (14.29) dia. • 1 3/16 (20.64) from end

5505 3-Hole "U" Support

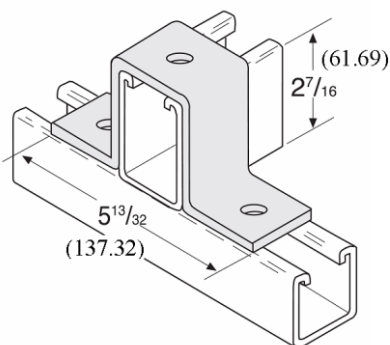


Fig. Number	Std. Package	Wt. Each	
		lbs.	kg
5505	25	1.08	(.49)

Available in stainless steel. To order, specify 304 or 316 and add suffix SS to fig. number. Price on request.

MATERIAL: 1/4 X 1 5/8 (6.35 X 41.28)

FINISH: Electro-galvanized

ORDERING: Specify figure number.

HOLE DIM: 9/16 (14.29) dia. • 1 3/16 (20.64) from end

5507 3-Hole "U" Support

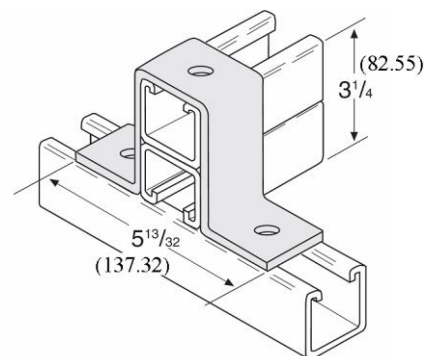


Fig. Number	Std. Package	Wt. Each	
		lbs.	kg
5507	10	1.25	(.57)

Available in stainless steel. To order, specify 304 or 316 and add suffix SS to fig. number. Price on request.

MATERIAL: 1/4 X 1 5/8 (6.35 X 41.28)

FINISH: Electro-galvanized

ORDERING: Specify figure number.

HOLE DIM: 9/16 (14.29) dia. • 1 3/16 (20.64) from end

Unless otherwise specified, all dimensions on drawings and in charts are in inches and dimensions shown in parentheses are in millimeters.



"U" FITTINGS

5509 3-Hole "U" Support

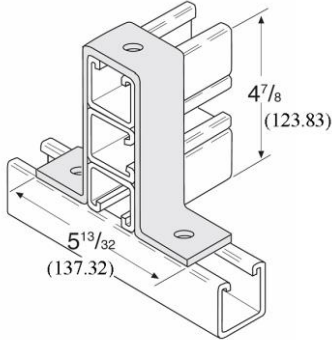


Fig. Number	Std. Package	Wt. Each	
		lbs.	kg
5509	10	1.57	(.71)

MATERIAL: 1/4 X 1 5/8 (6.35 X 41.28)

FINISH: Electro-galvanized

ORDERING: Specify figure number.

HOLE DIM: 9/16 (14.29) dia. • 13/16 (20.64) from end

5511 3-Hole "U" Support

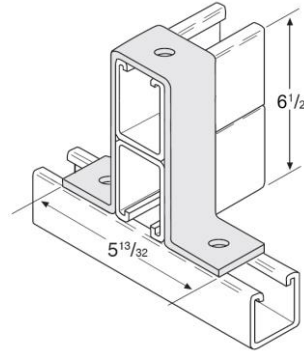


Fig. Number	Std. Package	Wt. Each	
		lbs.	kg
5511	10	1.25	(.57)

Available in stainless steel. To order, specify 304 or 316 and add suffix SS to fig. number. Price on request.

MATERIAL: 1/4 X 1 5/8 (6.35 X 41.28)

FINISH: Electro-galvanized

ORDERING: Specify figure number.

HOLE DIM: 9/16 (14.29) dia. • 13/16 (20.64) from end

5513 3-Hole "U" Support

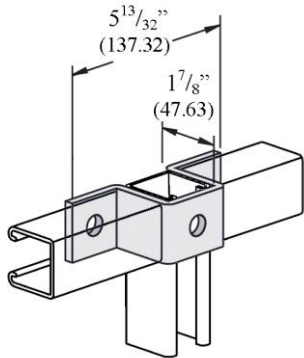


Fig. Number	Std. Package	Wt. Each	
		lbs.	kg
5513	25	.95	5513

Available in stainless steel. To order, specify 304 or 316 and add suffix SS to fig. number. Price on request.

MATERIAL: 1/4 X 1 5/8 (6.35 X 41.28)

FINISH: Electro-galvanized

ORDERING: Specify figure number.

HOLE DIM: 9/16 (14.29) dia. • 13/16 (20.64) from end

5521 6-Hole "U" Support

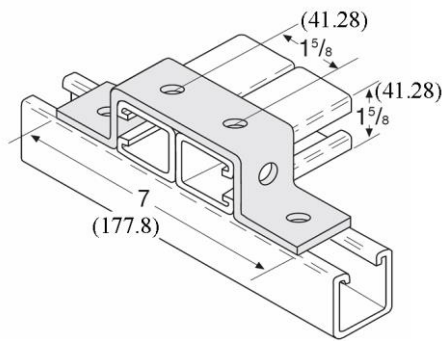


Fig. Number	Std. Package	Wt. Each	
		lbs.	kg
5521	10	1.04	(.47)

Available in stainless steel. To order, specify 304 or 316 and add suffix SS to fig. number. Price on request.

MATERIAL: 1/4 X 1 5/8 (6.35 X 41.28)

FINISH: Electro-galvanized

ORDERING: Specify figure number.

HOLE DIM: 9/16 (14.29) dia. • 13/16 (20.64) from end

Unless otherwise specified, all dimensions on drawings and in charts are in inches and dimensions shown in parentheses are in millimeters.



"U" FITTINGS

5530 - 5532 Slotted 3-Hole "U" Support

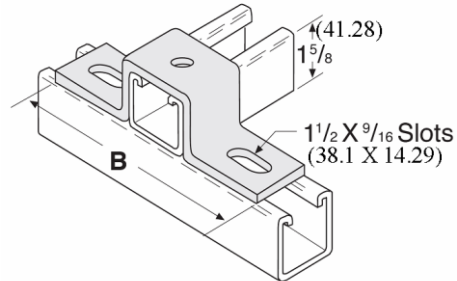


Fig. Number	Length B		Std. Package	Wt. Each	
				lbs.	kg
5530	7 ¹ / ₄	(184.15)	10	.96	(.44)
5531	8 ¹ / ₂	(215.90)	10	1.11	(.50)
5532	10 ³ / ₈	(263.53)	10	1.29	(.59)

Available in stainless steel. To order, specify 304 or 316 and add suffix SS to fig. number. Price on request.

MATERIAL: $\frac{1}{4} \times \frac{1}{8}$ (6.35 X 41.28)

FINISH: Electro-galvanized

ORDERING: Specify figure number.

HOLE DIM: $\frac{9}{16}$ (14.29) dia.

Unless otherwise specified, all dimensions on drawings and in charts are in inches and dimensions shown in parentheses are in millimeters.