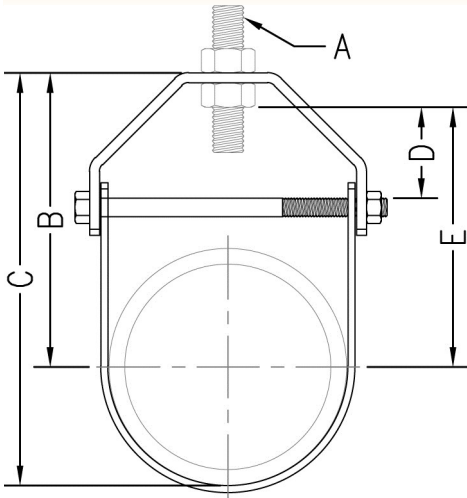


CLEVIS HANGERS

FIG. 425 & 426

STAINLESS STEEL CLEVIS HANGER



Function: Designed for the suspension of non-insulated stationary pipe lines in applications where protection from corrosive environments is desired. Frequently specified for areas requiring the ultimate in sanitation. Another benefit includes a reduction of long term maintenance costs, due to the corrosive resistant properties of stainless steel.

Material: Type 304 stainless steel (**Fig. 425**) or type 316 stainless steel (**Fig. 426**)

Finish: Plain

Approvals: Complies with Federal Specification A-A-1192A (Type 1) and Manufacturers' Standardization Society ANSI/MSS SP-58 (Type 1) which supersedes ANSI/MSS SP-69.

Ordering: Specify figure number and pipe size.

NOTE: Use of an upper locknut ensures proper performance. Pipe spacers provided on 30" (750mm) and larger clevises. When an over-sized clevis is used, a pipe spacer should be placed over the clevis bolt to prevent the lower U-strap from moving inward.

Pipe Size	Rod Size A	B		C		Adjustment D		E		Cross Bolt	Max. Rec. Load		Wt. Each		
		in.	mm.	in.	mm.	in.	mm.	in.	mm.		lbs.	kN	lbs.	kg	
1/2	(15)	3/8	27/16	(61.9)	27/8	(73.0)	11/8	(28.6)	2	(50.8)	1/4	730	(3.25)	0.24	(0.11)
3/4	(20)	3/8	25/8	(66.7)	31/8	(79.4)	11/4	(31.8)	23/16	(55.6)	1/4	730	(3.25)	0.24	(0.11)
1	(25)	3/8	31/16	(77.8)	33/4	(95.3)	15/8	(41.3)	25/8	(66.7)	1/4	730	(3.25)	0.28	(0.13)
1 1/4	(32)	3/8	33/8	(85.7)	43/16	(106.4)	15/8	(41.3)	215/16	(74.6)	1/4	730	(3.25)	0.32	(0.15)
1 1/2	(40)	3/8	31/2	(88.9)	47/16	(112.7)	11/2	(38.1)	31/16	(77.8)	1/4	730	(3.25)	0.40	(0.18)
2	(50)	3/8	33/4	(95.3)	5	(127.0)	15/8	(41.3)	35/16	(84.1)	1/4	730	(3.25)	0.52	(0.24)
2 1/2	(65)	1/2	45/8	(117.5)	61/16	(154.0)	2	(50.8)	41/16	(103.2)	3/8	1350	(6.01)	0.72	(0.33)
3	(80)	1/2	47/8	(123.8)	65/8	(168.3)	113/16	(46.0)	41/4	(108.0)	3/8	1350	(6.01)	0.78	(0.35)
3 1/2	(90)	1/2	41/2	(114.3)	61/2	(165.1)	11/4	(31.8)	37/8	(98.4)	3/8	1350	(6.01)	1.16	(0.53)
4	(100)	5/8	51/2	(139.7)	711/16	(195.3)	13/4	(44.5)	411/16	(119.1)	3/8	1430	(6.36)	1.35	(0.61)
5	(125)	5/8	61/8	(155.6)	91/8	(231.8)	17/8	(47.6)	55/16	(134.9)	1/2	1430	(6.36)	1.88	(0.85)
6	(150)	3/4	67/8	(174.6)	101/8	(257.2)	15/8	(41.3)	6	(152.4)	1/2	1940	(8.63)	2.76	(1.25)
8	(200)	3/4	83/4	(222.3)	127/8	(327.0)	21/8	(54.0)	77/8	(200.0)	5/8	2000	(8.90)	4.35	(1.97)
10	(250)	7/8	103/8	(263.5)	153/4	(400.1)	23/8	(60.3)	91/8	(231.8)	3/4	3600	(16.01)	8.22	(3.73)
12	(300)	7/8	115/8	(295.3)	18	(457.2)	21/2	(63.5)	101/2	(266.7)	3/4	3800	(16.90)	10.05	(4.56)
14	(350)	1	123/4	(323.9)	193/4	(501.7)	25/8	(66.7)	111/4	(285.8)	7/8	4200	(18.68)	12.97	(5.88)
16	(400)	1	141/8	(358.8)	221/8	(562)	25/8	(66.7)	135/8	(346.1)	1	4600	(20.46)	20.85	(9.46)
18	(450)	1	161/2	(419.1)	251/2	(647.7)	31/2	(88.9)	15	(381.0)	11/8	4800	(21.35)	24.75	(11.23)
20	(500)	1 1/4	18	(457.2)	28	(711.2)	41/8	(104.8)	161/8	(409.6)	11/4	4800	(21.35)	42.45	(19.26)
24	(600)	1 1/4	201/4	(514.4)	321/4	(819.2)	43/4	(120.7)	183/8	(466.7)	11/4	4800	(21.35)	48.65	(22.07)
30	(750)	1 1/4	241/2	(622.3)	387/8	(987.4)	51/2	(139.7)	211/2	(546.1)	11/4	6000	(26.69)	69.83	(31.67)
36	(900)	1 1/2	32	(812.8)	50	(1270.0)	83/4	(222.3)	30	(762.0)	11/2	9500	(42.26)	175.00	(79.38)

Adjustment "D" (Top of cross bolt to bottom of hanger rod nut.)

THREADED ACCESSORIES
CPVC STRAPS
BAND HANGERS
BEAM CLAMPS
CLEVIS HANGERS
PIPE ROLLER SUPPORTS
SPLIT RING HANGERS
PIPE CLAMPS
CENTER LOAD BEAM CLAMPS
PIPE SHIELDS, INSULATION, & SADDLES
PIPE GUIDES & SLIDES
WALL BRACKETS
PIPE SUPPORTS
STRUCTURAL ATTACHMENTS
SEISMIC BRACING