

4500 - 4506 Closure Strip

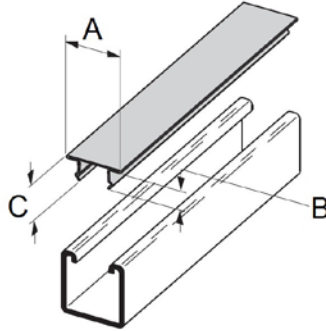


Fig. Number	A		B		C		Std. Length		Material	Wt. Each	
	in.	mm	in.	mm	in.	mm	ft.	m		lbs./ft.	Kg/m
4500	1 ⁷ / ₁₆	(36.5)	1/2	(12.7)	1 ⁹ / ₃₂	(15.1)	10	(3.048)	Plastic – Black	0.08	(0.12)
4501	1 ¹¹ / ₃₂	(34.1)	3/8	(9.5)	7/16	(11.1)	10	(3.048)	Plastic – Grey	0.08	(0.12)
4502	1 ¹¹ / ₃₂	(34.1)	3/8	(9.5)	7/16	(11.1)	10	(3.048)	Plastic – Green	0.08	(0.12)
4503	1 ¹ / ₂	(38.1)	7/16	(11.1)	1 ⁷ / ₃₂	(13.5)	10	(3.048)	Steel – Plain	0.42	(0.63)
4504	1 ¹ / ₂	(38.1)	7/16	(11.1)	1 ⁷ / ₃₂	(13.5)	10	(3.048)	Steel – PG	0.42	(0.63)
4505	1 ¹ / ₂	(38.1)	7/16	(11.1)	1 ⁷ / ₃₂	(13.5)	10	(3.048)	Steel – Green	0.42	(0.63)
4506	1 ⁷ / ₁₆	(36.5)	1 ⁵ / ₃₂	(11.9)	1/2	(12.7)	10	(3.048)	Aluminum – Plain	0.14	(0.21)

ORDERING: Specify figure number.