



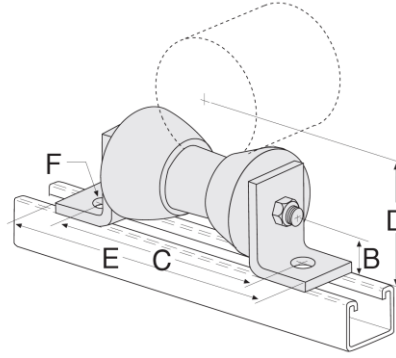
PIPE ROLLERS

7581 - 7585 Roller Support

MATERIAL: Cast Iron Rolls w/steel bracket and axle.

FINISH: Electro-galvanized

ORDERING: Specify figure number.



B
Center of axle to
bottom of plate

D
Center of pipe to
bottom of plate

Fig. Number	Pipe Size	B	C	D	E	F	Material Size	Max. Rec. Load		Std. Package	Wt. Each	
								lbs.	kN		lbs.	kg
7581	2 (50)	1 ¹ / ₄ (31.75)	5 ¹ / ₈ (130.18)	3 ¹ / ₈ (79.38)	6 ⁵ / ₈ (168.28)	9 ¹ / ₁₆ (14.29)	1/4 X 1 ⁵ / ₈ (6.35 X 41.28)	390	(1.73)	Bulk	1.77	(.80)
7581	2 ¹ / ₂ (65)	1 ¹ / ₄ (31.75)	5 ¹ / ₈ (130.18)	3 ⁵ / ₁₆ (84.14)	6 ⁵ / ₈ (168.28)	9 ¹ / ₁₆ (14.29)	1/4 X 1 ⁵ / ₈ (6.35 X 41.28)	390	(1.73)	Bulk	1.77	(.80)
7581	3 (80)	1 ¹ / ₄ (31.75)	5 ¹ / ₈ (130.18)	3 ⁵ / ₈ (92.08)	6 ⁵ / ₈ (168.28)	9 ¹ / ₁₆ (14.29)	1/4 X 1 ⁵ / ₈ (6.35 X 41.28)	390	(1.73)	Bulk	1.77	(.80)
7581	3 ¹ / ₂ (90)	1 ¹ / ₄ (31.75)	5 ¹ / ₈ (130.18)	4 (101.60)	6 ⁵ / ₈ (168.28)	9 ¹ / ₁₆ (14.29)	1/4 X 1 ⁵ / ₈ (6.35 X 41.28)	390	(1.73)	Bulk	1.77	(.80)
7582	4 (100)	1 ¹ / ₄ (31.75)	6 ¹ / ₈ (155.58)	4 ¹ / ₁₆ (103.19)	7 ⁵ / ₈ (193.68)	9 ¹ / ₁₆ (14.29)	1/4 X 1 ⁵ / ₈ (6.35 X 41.28)	600	(2.67)	Bulk	2.31	(1.05)
7582	5 (125)	1 ¹ / ₄ (31.75)	6 ¹ / ₈ (155.58)	4 ⁹ / ₁₆ (115.89)	7 ⁵ / ₈ (193.68)	9 ¹ / ₁₆ (14.29)	1/4 X 1 ⁵ / ₈ (6.35 X 41.28)	600	(2.67)	Bulk	2.31	(1.05)
7582	6 (150)	1 ¹ / ₄ (31.75)	6 ¹ / ₈ (155.58)	5 ¹ / ₁₆ (128.59)	7 ⁵ / ₈ (193.68)	9 ¹ / ₁₆ (14.29)	1/4 X 1 ⁵ / ₈ (6.35 X 41.28)	600	(2.67)	Bulk	2.31	(1.05)
7583	8 (200)	1 ⁷ / ₈ (47.63)	8 ¹ / ₄ (209.55)	7 ⁵ / ₁₆ (185.74)	9 ³ / ₄ (247.65)	9 ¹ / ₁₆ (14.29)	1/4 X 1 ⁵ / ₈ (6.35 X 41.28)	800	(3.56)	Bulk	5.42	(2.46)
7583	10 (250)	1 ⁷ / ₈ (47.63)	8 ¹ / ₄ (209.55)	8 ⁵ / ₈ (219.08)	9 ³ / ₄ (247.65)	9 ¹ / ₁₆ (14.29)	1/4 X 1 ⁵ / ₈ (6.35 X 41.28)	800	(3.56)	Bulk	5.42	(2.46)
7584	12 (300)	2 ⁷ / ₁₆ (61.91)	12 ³ / ₄ (323.85)	9 ³ / ₄ (247.65)	14 ³ / ₄ (374.65)	1 ³ / ₁₆ (20.64)	3/8 X 2 (9.53 X 50.8)	1300	(5.78)	Bulk	10.40	(4.72)
7584	14 (350)	2 ⁷ / ₁₆ (61.91)	12 ³ / ₄ (323.85)	10 ¹ / ₂ (266.70)	14 ³ / ₄ (374.65)	1 ³ / ₁₆ (20.64)	3/8 X 2 (9.53 X 50.8)	1300	(5.78)	Bulk	10.40	(4.72)
7585	16 (400)	2 ¹⁵ / ₁₆ (74.61)	14 ¹ / ₄ (361.95)	12 (304.80)	16 ¹ / ₄ (412.75)	1 ³ / ₁₆ (20.64)	3/8 X 2 ¹ / ₂ (9.53 X 63.5)	2300	(10.23)	Bulk	15.08	(6.84)
7585	18 (450)	2 ¹⁵ / ₁₆ (74.61)	14 ¹ / ₄ (361.95)	13 ¹ / ₈ (333.38)	16 ¹ / ₄ (412.75)	1 ³ / ₁₆ (20.64)	3/8 X 2 ¹ / ₂ (9.53 X 63.5)	2300	(10.23)	Bulk	15.08	(6.84)
7585	20 (500)	2 ¹⁵ / ₁₆ (74.61)	14 ¹ / ₄ (361.95)	14 ³ / ₈ (365.13)	16 ¹ / ₄ (412.75)	1 ³ / ₁₆ (20.64)	3/8 X 2 ¹ / ₂ (9.53 X 63.5)	2300	(10.23)	Bulk	15.08	(6.84)

Unless otherwise specified, all dimensions on drawings and in charts are in inches and dimensions shown in parentheses are in millimeters.