



PIPE CLAMPS

7231 - 7238 One Hole Clamp For O.D. Tubing

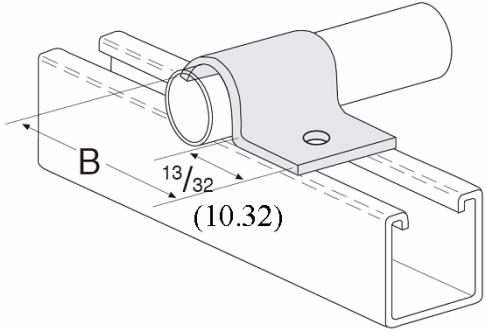


Fig. Number	Tubing O.D.	B		Std. Package	Wt. Each	
					lbs.	kg
7231	1/4 (6.35)	1 1/16	(26.99)	100	.03	(.01)
7232	5/16 (7.94)	1 1/8	(28.58)	100	.03	(.01)
7233	3/8 (9.53)	1 1/8	(28.58)	100	.04	(.02)
7234	1/2 (12.70)	1 3/16	(30.16)	100	.04	(.02)
7235	5/8 (15.88)	1 1/4	(31.75)	100	.05	(.02)
7236	3/4 (19.05)	1 5/16	(33.34)	100	.06	(.03)
7237	7/8 (22.23)	1 3/8	(34.93)	100	.06	(.03)
7238	1 (25.40)	1 7/16	(36.51)	100	.07	(.03)

Available in stainless steel. To order, specify 304 or 316 and add suffix SS to fig. number. Price on request.

MATERIAL: 14 Ga.
FINISH: Electro-galvanized
ORDERING: Specify figure number and O.D. size.

Unless otherwise specified, all dimensions on drawings and in charts are in inches and dimensions shown in parentheses are in millimeters.