

POST BASES



6080

Post Base for 1⁵/₈ Back to Back Strut

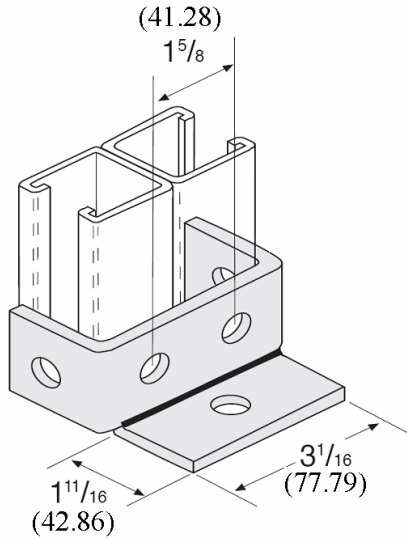


Fig. Number	Std. Package	Wt. Each	
		lbs.	kg
6080	10	1.30	(.59)

MATERIAL: 1/4 (6.35)

FINISH: Electro-galvanized

ORDERING: Specify figure number.

HOLE DIM: 9/16 (14.29) dia. • 13/16 (20.64) from end

6095

Post Base for 1⁵/₈ Strut

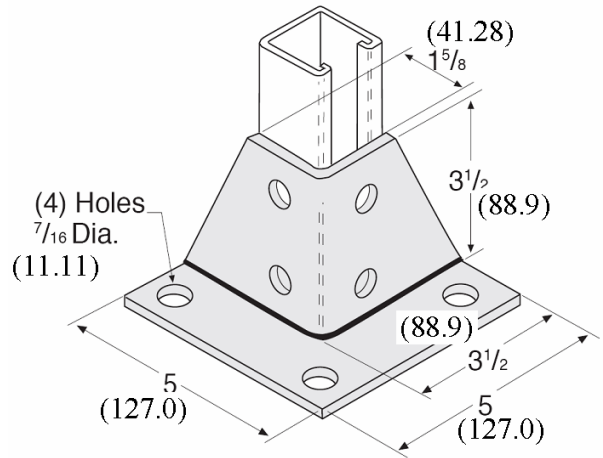


Fig. Number	Std. Package	Wt. Each	
		lbs.	kg
6095	10	2.97	(1.37)

MATERIAL: 1/4 (6.35)

FINISH: Electro-galvanized

ORDERING: Specify figure number.

HOLE DIM: 9/16 (14.29) dia.

Unless otherwise specified, all dimensions on drawings and in charts are in inches and dimensions shown in parentheses are in millimeters.