

POST BASES



6035

Post Base for Double 1⁵/₈ Strut

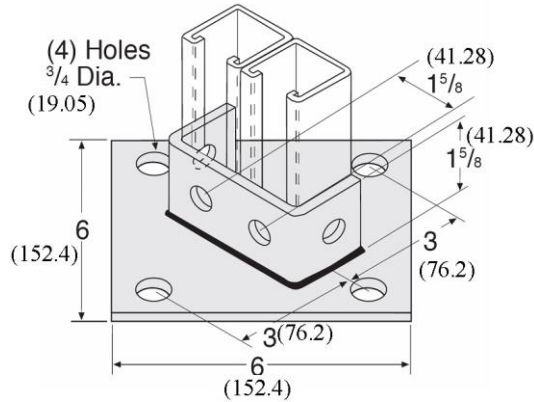


Fig. Number	Std. Package	Wt. Each	
		lbs.	kg
6035	10	3.30	(1.50)

Available in stainless steel. To order, specify 304 or 316 and add suffix SS to fig. number. Price on request.

MATERIAL: 1/4 (6.35)

FINISH: Electro-galvanized

ORDERING: Specify figure number.

HOLE DIM: 9/16 (14.29) dia. • 13/16 (20.64) from end

6040

Post Base for Double 1⁵/₈ Strut

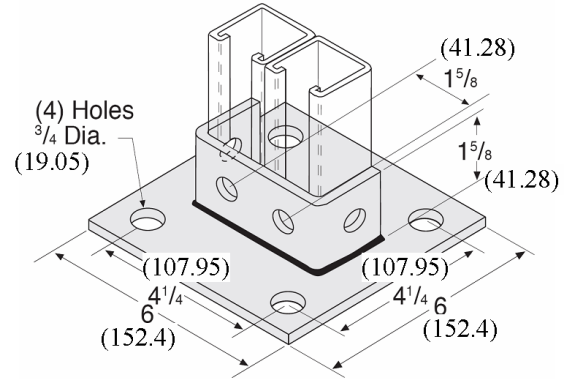


Fig. Number	Std. Package	Wt. Each	
		lbs.	kg
6040	10	3.30	(1.50)

Available in stainless steel. To order, specify 304 or 316 and add suffix SS to fig. number. Price on request.

MATERIAL: 1/4 (6.35)

FINISH: Electro-galvanized

ORDERING: Specify figure number.

HOLE DIM: 9/16 (14.29) dia. • 13/16 (20.64) from end

6045

Post Base for Double 1⁵/₈ Strut

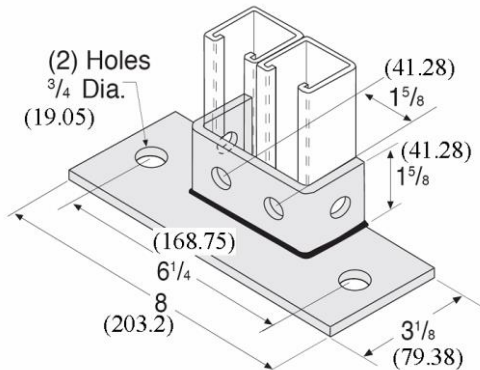


Fig. Number	Std. Package	Wt. Each	
		lbs.	kg
6045	10	2.50	(1.13)

Available in stainless steel. To order, specify 304 or 316 and add suffix SS to fig. number. Price on request.

MATERIAL: 1/4 (6.35)

FINISH: Electro-galvanized

ORDERING: Specify figure number.

HOLE DIM: 9/16 (14.29) dia. • 13/16 (20.64) from end

6050

Post Base for Double 1⁵/₈ Strut

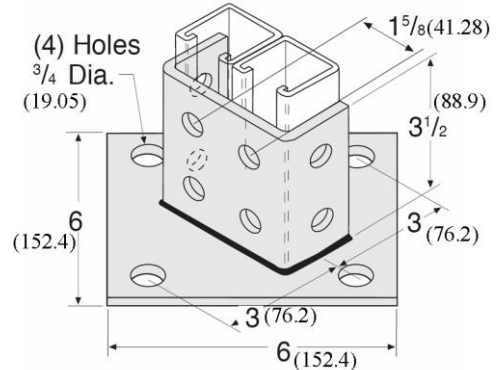


Fig. Number	Std. Package	Wt. Each	
		lbs.	kg
6050	10	4.00	(1.81)

Available in stainless steel. To order, specify 304 or 316 and add suffix SS to fig. number. Price on request.

MATERIAL: 1/4 (6.35)

FINISH: Electro-galvanized

ORDERING: Specify figure number.

HOLE DIM: 9/16 (14.29) dia. • 13/16 (20.64) from end

Unless otherwise specified, all dimensions on drawings and in charts are in inches and dimensions shown in parentheses are in millimeters.



POST BASES

6060

Post Base for Double 1⁵/₈ Strut

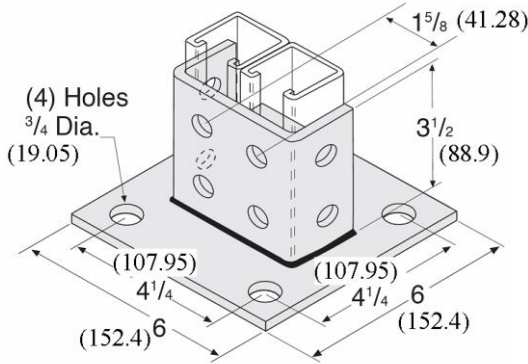


Fig. Number	Std. Package	Wt. Each	
		lbs.	kg
6060	10	4.00	(1.81)

Available in stainless steel. To order, specify 304 or 316 and add suffix SS to fig. number. Price on request.

MATERIAL: 1/4 (6.35)

FINISH: Electro-galvanized

ORDERING: Specify figure number.

HOLE DIM: 9/16 (14.29) dia. • 13/16 (20.64) from end

6065

Post Base for Double 1⁵/₈ Strut

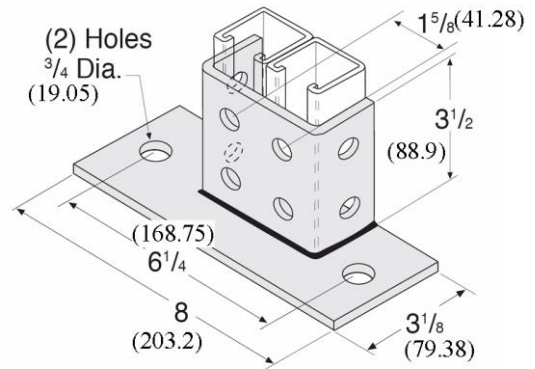


Fig. Number	Std. Package	Wt. Each	
		lbs.	kg
6065	10	3.20	(1.45)

Available in stainless steel. To order, specify 304 or 316 and add suffix SS to fig. number. Price on request.

MATERIAL: 1/4 (6.35)

FINISH: Electro-galvanized

ORDERING: Specify figure number.

HOLE DIM: 9/16 (14.29) dia. • 13/16 (20.64) from end

Unless otherwise specified, all dimensions on drawings and in charts are in inches and dimensions shown in parentheses are in millimeters.