

## 5825 - 5827 Series Ladder Rungs

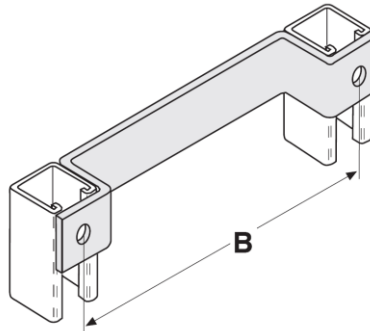


Fig. Number	Length B		Std. Package	Wt. Each	
				lbs.	kg
5825	12	(304.80)	10	1.76	(.80)
5826	15	(381.00)	10	2.02	(.92)
5827	18	(457.20)	bulk	2.34	(1.06)

Available in stainless steel. To order, specify 304 or 316 and add suffix SS to fig. number. Price on request.

**MATERIAL:**  $\frac{1}{4} \times 1\frac{5}{8}$  (6.35 X 41.28)

**FINISH:** Electro-galvanized

**ORDERING:** Specify figure number and length "B".

**HOLE DIM:**  $\frac{9}{16}$  (14.29) dia. •  $\frac{13}{16}$  (20.64) from end