

MISCELLANEOUS FITTINGS



5801 & 5802 Single Pipe Axle Support for 1 1/4" (32) Pipe

Fig. 5801 Right
Fig. 5802 Left

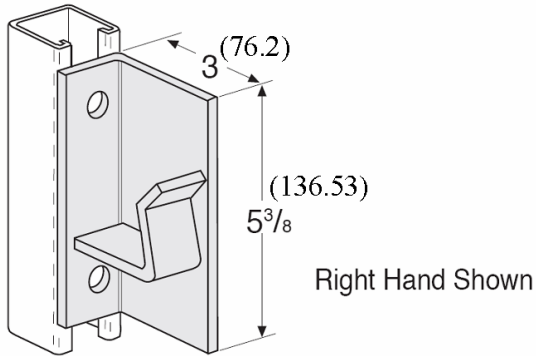


Fig. Number	Std. Package	Wt. Each	
		lbs.	kg
5801	10	2.25	(1.02)
5802	10	2.25	(1.02)

MATERIAL: 1/4 (6.35)

FINISH: Electro-galvanized

ORDERING: Specify figure number.

HOLE DIM: 9/16 (14.29) dia. • 13/16 (20.64) from end

5803 & 5804 Single Pipe Axle Support for 2" (50) Pipe

Fig. 5803 Right
Fig. 5804 Left

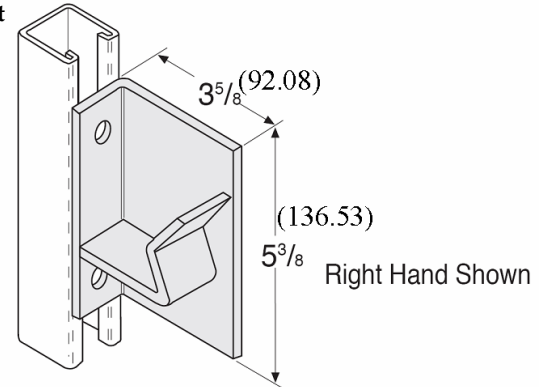


Fig. Number	Std. Package	Wt. Each	
		lbs.	kg
5803	10	2.46	(1.12)
5804	10	2.46	(1.12)

MATERIAL: 1/4 (6.35)

FINISH: Electro-galvanized

ORDERING: Specify figure number.

HOLE DIM: 9/16 (14.29) dia. • 13/16 (20.64) from end

Unless otherwise specified, all dimensions on drawings and in charts are in inches and dimensions shown in parentheses are in millimeters.