



CLEVIS FITTINGS

5775

3-Hole Suspension Clevis

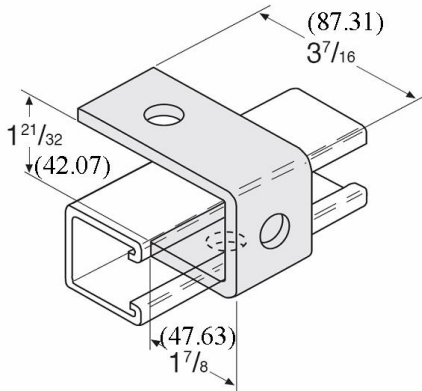


Fig. Number	Std. Package	Wt. Each	
		lbs.	kg
5775	25	.75	(.34)

MATERIAL: 1/4 X 1 5/8 (6.35 X 41.28)

FINISH: Electro-galvanized

ORDERING: Specify figure number.

HOLE DIM: 9/16 (14.29) dia. • 13/16 (20.64) from end

5780

4-Hole Suspension Clevis

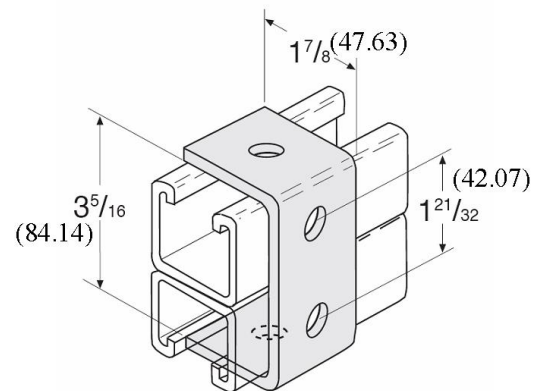


Fig. Number	Std. Package	Wt. Each	
		lbs.	kg
5780	20	.71	(.32)

Available in stainless steel. To order, specify 304 or 316 and add suffix SS to fig. number. Price on request.

MATERIAL: 1/4 X 1 5/8 (6.35 X 41.28)

FINISH: Electro-galvanized

ORDERING: Specify figure number.

HOLE DIM: 9/16 (14.29) dia. • 13/16 (20.64) from end

Unless otherwise specified, all dimensions on drawings and in charts are in inches and dimensions shown in parentheses are in millimeters.