



CLEVIS FITTINGS

5770 3-Hole Clevis

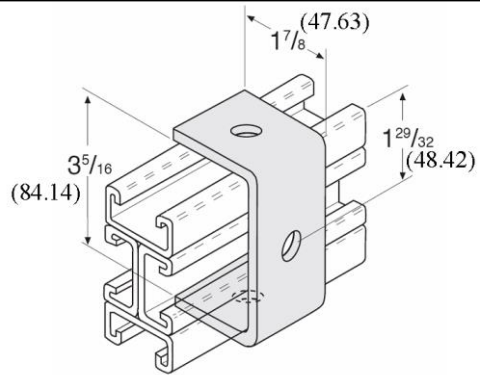


Fig. Number	Std. Package	Wt. Each	
		lbs.	kg
5770	25	.75	(.34)

MATERIAL: $\frac{1}{4} \times 1\frac{5}{8}$ (6.35 X 41.28)

FINISH: Electro-galvanized

ORDERING: Specify figure number.

HOLE DIM: $\frac{9}{16}$ (14.29) dia. • $\frac{13}{16}$ (20.64) from end

Unless otherwise specified, all dimensions on drawings and in charts are in inches and dimensions shown in parentheses are in millimeters.