

CLEVIS FITTINGS



5750 - 5752 2-Hole Clevis

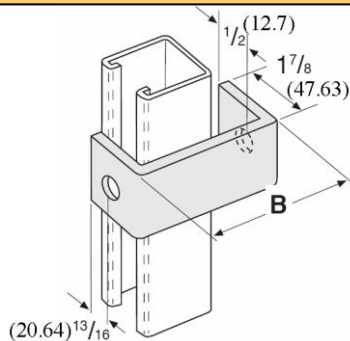


Fig. Number	Length B		Std. Package	Wt. Each	
				lbs.	kg
5750	3 ¹³ / ₃₂	(61.12)	25	.57	(.26)
5751	3 ²⁵ / ₃₂	(96.04)	25	.73	(.33)
5752	4 ³ / ₄	(120.65)	25	.84	(.38)

Available in stainless steel. To order, specify 304 or 316 and add suffix SS to fig. number. Price on request.

MATERIAL: 1/4 X 1 5/8 (6.35 X 41.28)

FINISH: Electro-galvanized

ORDERING: Specify figure number and length "B".

HOLE DIM: ⁹/₁₆ (14.29) dia. • ¹³/₁₆ (20.64) from end

5760 - 5764 2-Hole Clevis

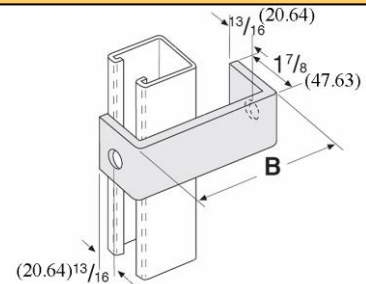


Fig. Number	Length B		Std. Package	Wt. Each	
				lbs.	kg
5760	4	(101.60)	25	.78	(.35)
5761	5	(127.00)	25	.89	(.40)
5762	6	(152.40)	25	1.07	(.49)
5763	7	(177.80)	25	1.12	(.51)
5764	8	(203.20)	25	1.24	(.56)

Available in stainless steel. To order, specify 304 or 316 and add suffix SS to fig. number. Price on request.

MATERIAL: 1/4 X 1 5/8 (6.35 X 41.28)

FINISH: Electro-galvanized

ORDERING: Specify figure number and length "B".

HOLE DIM: ⁹/₁₆ (14.29) dia. • ¹³/₁₆ (20.64) from end

Unless otherwise specified, all dimensions on drawings and in charts are in inches and dimensions shown in parentheses are in millimeters.