



WING FITTINGS

5635 5-Hole Double Corner Connector

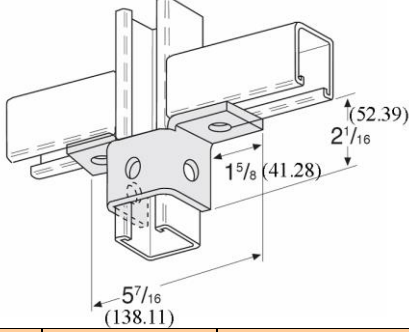


Fig. Number	Std. Package	Wt. Each	
		lbs.	kg
5635	15	.93	(.42)

Available in stainless steel. To order, specify 304 or 316 and add suffix SS to fig. number. Price on request.

MATERIAL: 1/4 (6.35)
FINISH: Electro-galvanized
ORDERING: Specify figure number.
HOLE DIM: 9/16 (14.29) dia. • 13/16 (20.64) from end

5640 8-Hole Double Wing Connector

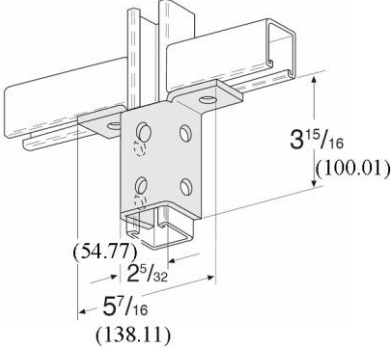


Fig. Number	Std. Package	Wt. Each	
		lbs.	kg
5640	10	1.77	(.80)

Available in stainless steel. To order, specify 304 or 316 and add suffix SS to fig. number. Price on request.

MATERIAL: 1/4 (6.35)
FINISH: Electro-galvanized
ORDERING: Specify figure number.
HOLE DIM: 9/16 (14.29) dia. • 13/16 (20.64) from end • 17/8 (47.63) on centers

5645 10-Hole Double Wing Connector

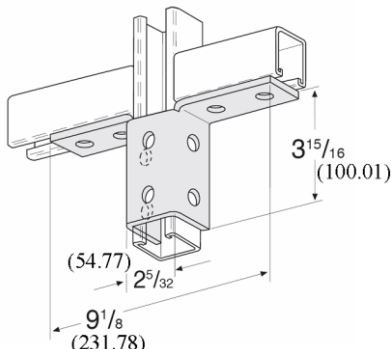


Fig. Number	Std. Package	Wt. Each	
		lbs.	kg
5645	10	2.02	(.92)

Available in stainless steel. To order, specify 304 or 316 and add suffix SS to fig. number. Price on request.

MATERIAL: 1/4 (6.35)
FINISH: Electro-galvanized
ORDERING: Specify figure number.
HOLE DIM: 9/16 (14.29) dia. • 13/16 (20.64) from end • 17/8 (47.63) on centers

Unless otherwise specified, all dimensions on drawings and in charts are in inches and dimensions shown in parentheses are in millimeters.