

"Z" FITTINGS



5580 Channel Hanger For #1000 Strut

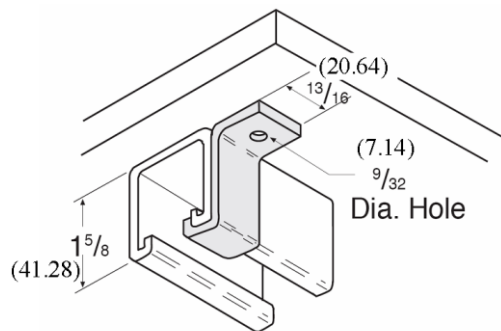


Fig. Number	Std. Package	Wt. Each	
		lbs.	kg
5580	100	.09	(.04)

MATERIAL: 11 Ga.

FINISH: Electro-galvanized

ORDERING: Specify figure number.

5581 Channel Hanger For #1200 Strut

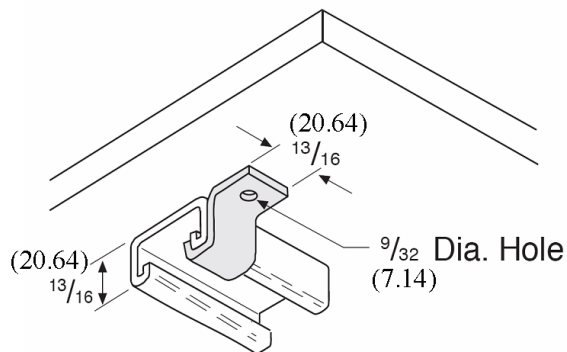


Fig. Number	Std. Package	Wt. Each	
		lbs.	kg
5581	100	.07	(.03)

MATERIAL: 11 Ga.

FINISH: Electro-galvanized

ORDERING: Specify figure number.

5582 Channel Hanger For #1500 Strut

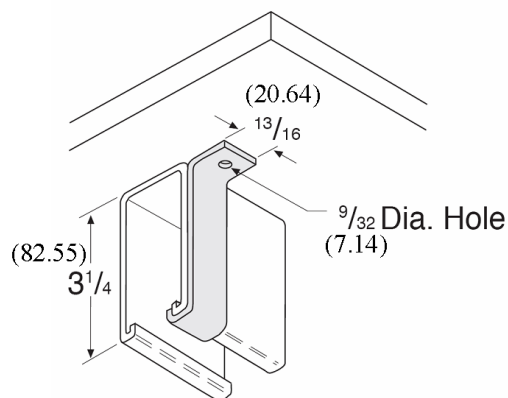


Fig. Number	Std. Package	Wt. Each	
		lbs.	kg
5582	100	.13	(.06)

MATERIAL: 11 Ga.

FINISH: Electro-galvanized

ORDERING: Specify figure number.

5583 Channel Hanger For #1600 Strut

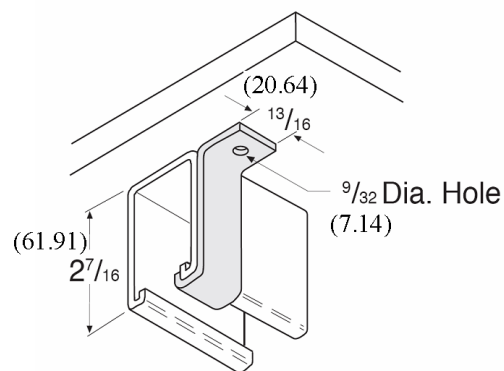


Fig. Number	Std. Package	Wt. Each	
		lbs.	kg
5583	100	.11	(.05)

MATERIAL: 11 Ga.

FINISH: Electro-galvanized

ORDERING: Specify figure number.

Unless otherwise specified, all dimensions on drawings and in charts are in inches and dimensions shown in parentheses are in millimeters.