



"Z" FITTINGS

5575 3-Hole Sheath Corner Connection

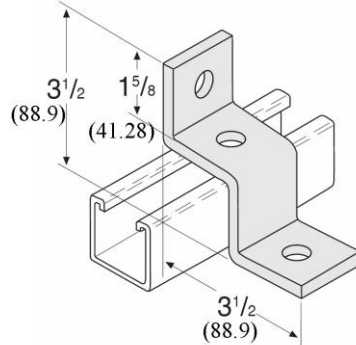


Fig. Number	Std. Package	Wt. Each	
		lbs.	kg
5575	25	.68	(.31)

Available in stainless steel. To order, specify 304 or 316 and add suffix SS to fig. number. Price on request.

MATERIAL: $\frac{1}{4} \times 1\frac{5}{8}$ (6.35 X 41.28)

FINISH: Electro-galvanized

ORDERING: Specify figure number.

HOLE DIM: $\frac{9}{16}$ (14.29) dia. • $\frac{13}{16}$ (20.64) from end

Unless otherwise specified, all dimensions on drawings and in charts are in inches and dimensions shown in parentheses are in millimeters.