



"Z" FITTINGS

5565 Tapped "Z" Support

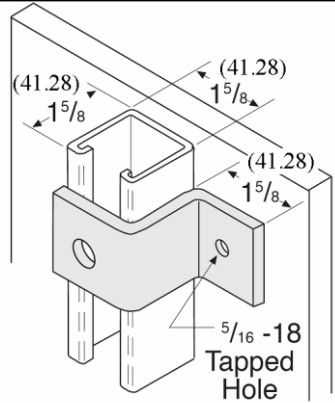


Fig. Number	Std. Package	Wt. Each	
		lbs.	kg
5565	25	.51	(.23)

MATERIAL: $\frac{1}{4} \times 1\frac{5}{8}$ (6.35 X 41.28)
FINISH: Electro-galvanized
ORDERING: Specify figure number.
HOLE DIM: $\frac{9}{16}$ (14.29) dia. • $\frac{13}{16}$ (20.64) from end

Unless otherwise specified, all dimensions on drawings and in charts are in inches and dimensions shown in parentheses are in millimeters.