



"Z" FITTINGS

5550 2-Hole Offset "Z" Support

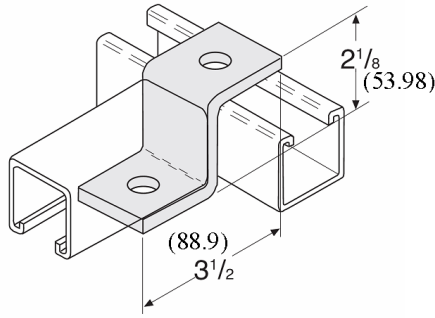


Fig. Number	Std. Package	Wt. Each	
		lbs.	kg
5550	25	.55	(.25)

Available in stainless steel. To order, specify 304 or 316 and add suffix SS to fig. number. Price on request.

MATERIAL: 1/4 X 1 5/8 (6.35 X 41.28)
FINISH: Electro-galvanized
ORDERING: Specify figure number.
HOLE DIM: 9/16 (14.29) dia. • 13/16 (20.64) from end

5551 2-Hole "Z" Support For #1200 Strut

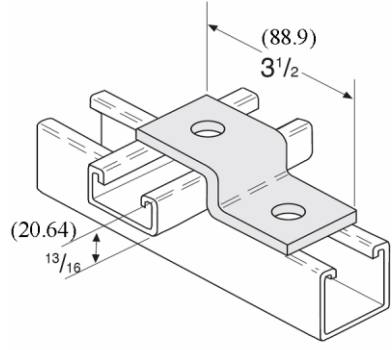


Fig. Number	Std. Package	Wt. Each	
		lbs.	kg
5551	50	.47	(.21)

MATERIAL: 1/4 X 1 5/8 (6.35 X 41.28)
FINISH: Electro-galvanized
ORDERING: Specify figure number.
HOLE DIM: 9/16 (14.29) dia. • 13/16 (20.64) from end

5552 3-Hole "Z" Support For #1500 Strut

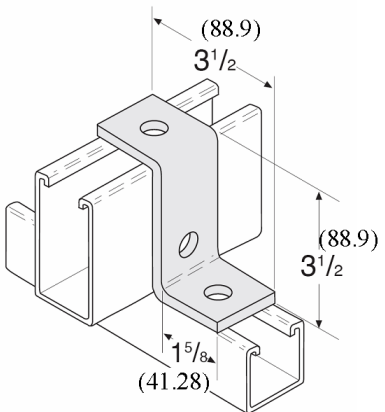


Fig. Number	Std. Package	Wt. Each	
		lbs.	kg
5552	25	.70	(.32)

MATERIAL: 1/4 X 1 5/8 (6.35 X 41.28)
FINISH: Electro-galvanized
ORDERING: Specify figure number.
HOLE DIM: 9/16 (14.29) dia. • 13/16 (20.64) from end

5553 2-Hole "Z" Support For #1600 Strut

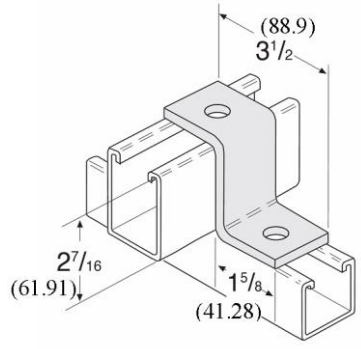


Fig. Number	Std. Package	Wt. Each	
		lbs.	kg
5553	25	.67	(.30)

Available in stainless steel. To order, specify 304 or 316 and add suffix SS to fig. number. Price on request.

MATERIAL: 1/4 X 1 5/8 (6.35 X 41.28)
FINISH: Electro-galvanized
ORDERING: Specify figure number.
HOLE DIM: 9/16 (14.29) dia. • 13/16 (20.64) from end

Unless otherwise specified, all dimensions on drawings and in charts are in inches and dimensions shown in parentheses are in millimeters.

"Z" FITTINGS



5554 3-Hole "Z" Support For #1000 Strut

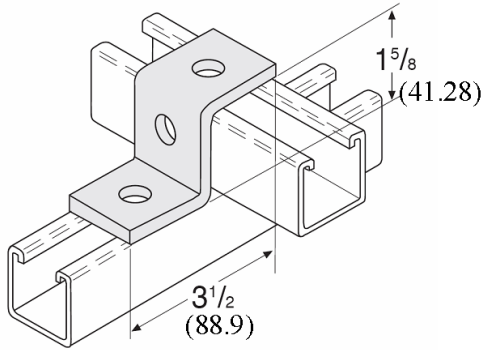


Fig. Number	Std. Package	Wt. Each	
		lbs.	kg
5554	50	.51	(.23)

Available in stainless steel. To order, specify 304 or 316 and add suffix SS to fig. number. Price on request.

MATERIAL: 1/4 X 1 5/8 (6.35 X 41.28)

FINISH: Electro-galvanized

ORDERING: Specify figure number.

HOLE DIM: 9/16 (14.29) dia. • 13/16 (20.64) from end

5556 2-Hole Offset "Z" Support

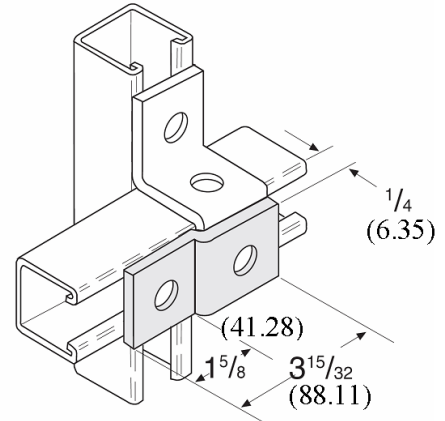


Fig. Number	Std. Package	Wt. Each	
		lbs.	kg
5556	25	.38	(.17)

MATERIAL: 1/4 X 1 5/8 (6.35 X 41.28)

FINISH: Electro-galvanized

ORDERING: Specify figure number.

HOLE DIM: 9/16 (14.29) dia. • 13/16 (20.64) from end

5558 2-Hole "Z" Support

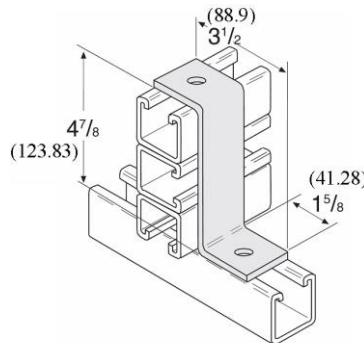


Fig. Number	Std. Package	Wt. Each	
		lbs.	kg
5558	25	.90	(.41)

Available in stainless steel. To order, specify 304 or 316 and add suffix SS to fig. number. Price on request.

MATERIAL: 1/4 X 1 5/8 (6.35 X 41.28)

FINISH: Electro-galvanized

ORDERING: Specify figure number.

HOLE DIM: 9/16 (14.29) dia. • 13/16 (20.64) from end

Unless otherwise specified, all dimensions on drawings and in charts are in inches and dimensions shown in parentheses are in millimeters.