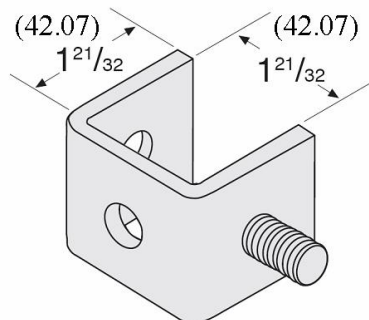


# "U" FITTINGS



## 5541 1 Stud Ring Connector

1/2"-13 stud protrudes  
1" (19.05)



| Fig. Number | Std. Package | Wt. Each |       |
|-------------|--------------|----------|-------|
|             |              | lbs.     | kg    |
| 5541        | 25           | .53      | (.24) |

Available in stainless steel. To order, specify 304 or 316 and add suffix SS to fig. number. Price on request.

MATERIAL: 1/4 (6.35)

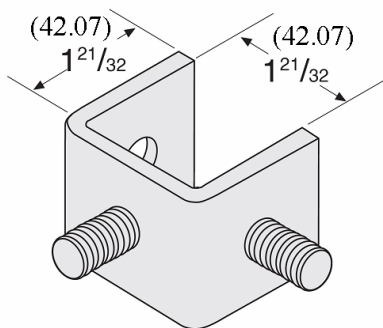
FINISH: Electro-galvanized

ORDERING: Specify figure number.

HOLE DIM: 9/16 (14.29) dia.

## 5542 2 Stud Ring Connector

1/2"-13 stud protrudes  
1" (19.05)



| Fig. Number | Std. Package | Wt. Each |       |
|-------------|--------------|----------|-------|
|             |              | lbs.     | kg    |
| 5542        | 25           | .59      | (.27) |

Available in stainless steel. To order, specify 304 or 316 and add suffix SS to fig. number. Price on request.

MATERIAL: 1/4 (6.35)

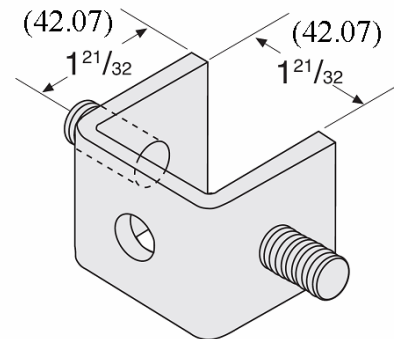
FINISH: Electro-galvanized

ORDERING: Specify figure number.

HOLE DIM: 9/16 (14.29) dia.

## 5543 2 Stud Ring Connector

1/2"-13 stud protrudes  
1" (19.05)



| Fig. Number | Std. Package | Wt. Each |       |
|-------------|--------------|----------|-------|
|             |              | lbs.     | kg    |
| 5543        | 25           | .59      | (.27) |

Available in stainless steel. To order, specify 304 or 316 and add suffix SS to fig. number. Price on request.

MATERIAL: 1/4 (6.35)

FINISH: Electro-galvanized

ORDERING: Specify figure number.

HOLE DIM: 9/16 (14.29) dia.

Unless otherwise specified, all dimensions on drawings and in charts are in inches and dimensions shown in parentheses are in millimeters.